

### COORDINATION NOTE TO ELECTRICAL CONTRACTOR

THE ELECTRICAL CONTRACTOR SHALL COORDINATE ALL POWER REQUIREMENT NEEDS FOR DOOR HARDWARE WITH DOOR HARDWARE VENDOR PRIOR TO ROUGH-IN. THE ELECTRICAL CONTRACTOR SHALL COORDINATE ALL ROUTING OF CONDUIT, WIRING AND TERMINATION POINTS WITH THE ARCHITECT AND DOOR HARDWARE VENDOR PRIOR TO ROUGH-IN. THE ELECTRICAL CONTRACTOR SHALL PROVIDE ALL JUNCTION BOXES, PUSH-PADS, LOW-VOLTAGE TRANSFORMERS, RELAYS, AND ALL OTHER COMPONENTS AS REQUIRED FOR DOOR HARDWARE TO PROVIDE A COMPLETE AND OPERATIONAL SYSTEM. IT IS THE RESPONSIBILITY OF THE ELECTRICAL CONTRACTOR TO COORDINATE ALL INFORMATION IN ORDER TO CORRECTLY PREP THE DOOR INDICATED ON THIS PLAN.

### VOLTAGE DROP WIRING NOTE

THE CONTRACTOR SHALL BE RESPONSIBLE FOR ENSURING VOLTAGE DROP CONDITIONS OF FINAL CONDUIT / CONDUCTOR ROUTINGS DO NOT EXCEED THE FOLLOWING MAXIMUM VALUES AND UPSIZE CONDUCTORS AND CONDUIT AS REQUIRED:

- A. FEEDER CIRCUITS: MAX 3% VOLTAGE DROP (PER NEC ARTICLE 215.2(A)(4) INFORMATIONAL NOTE NO. 2)
- B. BRANCH CIRCUITS: MAX 3% VOLTAGE DROP (PER NEC ARTICLE 210.19(A)(1) INFORMATIONAL NOTE NO. 4)
- C. COMBINED VOLTAGE DROP ON FEEDER AND BRANCH CIRCUIT TO THE FURTHEST DEVICE OUTLET / UTILIZATION EQUIPMENT SHALL NOT EXCEED 5%.
- D. EQUIPMENT GROUND CONDUCTORS SHALL BE UPSIZED AS REQUIRED PER NEC ARTICLE 250.122(B).

WHERE THE CONDUCTOR LENGTH FROM THE PANEL TO THE LAST OUTLET ON A 120 VOLT CIRCUIT EXCEEDS 75 FEET, THE BRANCH CIRCUIT CONDUCTORS SHALL NOT BE SMALLER THAN #10 AWG. WHERE CONDUCTOR LENGTH FROM THE PANEL TO THE LAST OUTLET EXCEEDS 125 FEET CONDUCTORS SHALL NOT BE SMALLER THAN #8 AWG.

### MECHANICAL/ELECTRICAL CONTROLS WIRING COORDINATION NOTE

THE MECHANICAL AND ELECTRICAL CONTRACTORS SHALL FULLY COORDINATE ALL WORK PRIOR TO ROUGH-IN OF ANY MECHANICAL OR ELECTRICAL EQUIPMENT. REFER TO MECHANICAL SCHEDULES FOR DESIGNATIONS OF ALL EQUIPMENT REQUIRING CONTROL WIRING.

THE MECHANICAL CONTRACTOR SHALL PROVIDE ALL CONTROL WIRING AND HARDWARE RELATED TO CONTROL WORK (I.E. TRANSFORMERS, CONTROL MODULES, CONNECTORS, ETC.). ALL CONTROL WIRING SHALL BE PLENUM RATED AND INSTALLED IN CONDUIT.

THE ELECTRICAL CONTRACTOR SHALL BE RESPONSIBLE FOR THE PROVIDING ALL MATERIALS AND LABOR TO PROVIDE THE 120V POWER SOURCES REQUIRED TO OPERATE ALL LOW VOLTAGE MECHANICAL EQUIPMENT AND MAKE FINAL 120 VOLT CONNECTIONS TO CONTROL EQUIPMENT. ELECTRICAL CONTRACTOR SHALL PROVIDE ALL JUNCTION BOXES AND/OR RECEPTACLES, 120 VOLT WIRING AND SHALL INSTALL ALL WIRING IN CONDUIT.

### ROUGH-IN NOTES

**RECEPTACLES:**  
MOUNT AT 18" A.F.F. TO CENTERLINE UNLESS OTHERWISE NOTED. ADJUST TO MATCH MASONRY COURSES IF APPLICABLE. MOUNT ALL BOXES TRUE AND PLUMB.

**ABOVE-COUNTER RECEPTACLES:**  
MOUNT AT 4" ABOVE COUNTERTOP OR BACKSPLASH AS APPLICABLE TO CENTERLINE. WHERE COUNTERTOP IS NOT SHOWN ON ARCHITECTURAL PLANS, MOUNT AT 48" A.F.F. TO CENTERLINE. ADJUST TO MATCH MASONRY COURSES IF APPLICABLE. MOUNT ALL BOXES TRUE AND PLUMB. BOXES FOR DEVICES ON OPPOSITE SIDES OF A COMMON WALL MUST BE OFFSET 12".

**TELECOMM:**  
PROVIDE DOUBLE-GANG BOX WITH SINGLE GANG PLASTER RING. MOUNT OUTLET BOXES AT 18" A.F.F. TO CENTERLINE UNLESS OTHERWISE NOTED. ADJUST ALL MOUNTING HEIGHTS TO MATCH MASONRY COURSES AS APPLICABLE. MOUNT ALL BOXES TRUE AND PLUMB.

**SWITCHING:**  
MOUNT AT 48" A.F.F. TO TOP. ADJUST TO MATCH MASONRY COURSES AS APPLICABLE. MOUNT ALL BOXES TRUE AND PLUMB.

**FIRE ALARM:**  
MOUNT ALL PULL STATIONS AT 48" A.F.F. TO CENTERLINE. MOUNT ALL SPEAKER/STROBES, STROBES AND REMOTE ALARM INDICATORS 80" A.F.F. TO BOTTOM OF DEVICE UNLESS OTHERWISE NOTED. COORDINATE LOCATION OF FAN CONTROL RELAY WITH DIVISION 23 CONTRACTOR. PROVIDE DUCT DETECTORS TO DIVISION 23 CONTRACTOR FOR MOUNTING. ALL WIRING BY DIVISION 26 CONTRACTOR. WIRE DUCT DETECTORS TO REMOTE ALARM INDICATORS IN CORRIDORS. COORDINATE LOCATIONS OF MAGNETIC DOOR HOLDERS PRIOR TO INSTALLATION. ADJUST ALL MOUNTING HEIGHTS TO MATCH MASONRY COURSES AS APPLICABLE. ALL DEVICES TO BE MOUNTED TRUE AND PLUMB.

### POWER/DATA SYMBOLS

SYMBOL	DESCRIPTION
	WALL MOUNTED DUPLEX RECEPTACLE "T" - MOUNTED ABOVE COUNTER-TOP "S" - BOTTOM RECEPTACLE IS CONTROLLED BY WALL SWITCH "AFCI" - ARC FAULT CIRCUIT INTERRUPTER TYPE "GFCI" - GROUND FAULT CIRCUIT INTERRUPTER TYPE.
	WALL MOUNTED TELEPHONE/DATA OUTLET. PROVIDE SINGLE GANG BOX WITH 3/4" EMPTY CONDUIT TO NEAREST ABOVE LAY-IN CEILING
	ELECTRICAL EQUIPMENT CONNECTION (HARD-WIRED OR CONNECTED TO SWITCH MOUNTED ON EQUIPMENT)
	PANELBOARD
	MOTOR (NUMBER INDICATES HORSEPOWER)
	ELECTRICAL UTILITY METER
	POWER PULLBOX
	HEAVY DUTY DISCONNECT. SIZE AS INDICATED IN DRAWINGS. 30 FRAME SIZE NF FUSE SIZE -NF INDICATES NON-FUSED -F INDICATES FUSED PER EQUIPMENT NAMEPLATE NUMBER INDICATES FRN FUSE SIZE
	MOTOR RATED TOGGLE SWITCH, SQD TYPE X OR EQUAL
	GROUND LOOP CONDUCTOR
	10' X 3/4" COPPER CLAD STEEL GROUND ROD
	10' X 10' X 10' SERVICE GROUNDING GRID

### RACEWAY SYMBOLS

SYMBOL	DESCRIPTION
	CONDUIT CONCEALED IN WALLS OR ABOVE CEILINGS
	UNSWITCHED LIGHTING CIRCUIT
	NEW HOMERUN TO PANELBOARD. LETTERS INDICATE PANELBOARD AND NUMBERS INDICATE CIRCUITS IN PANELBOARD
	UNDERGROUND ELECTRICAL

### FIRE ALARM SYMBOLS

	5B SOUNDER BASE SMOKE DETECTOR
--	--------------------------------

### LIGHTING CONTROL SYMBOLS

SYMBOL	DESCRIPTION
	SINGLE POLE SWITCH
	SINGLE POLE SWITCH WITH PILOT LIGHT
	OCCUPANCY SENSOR. WALL SWITCH MOUNTED (SINGLE GANG BOX). PIR SENSOR, RATED AT 120/277V.
	PHOTOCELL, ROOF MOUNTED

### LIGHT FIXTURE SYMBOLS

SYMBOL	DESCRIPTION
	1'X4' FLUORESCENT FIXTURE. LETTER INDICATES FIXTURE TYPE. SEE LIGHT FIXTURE SCHEDULE FOR DESCRIPTION.
	WALL MOUNTED LINEAR FLUORESCENT FIXTURE. LETTER INDICATES FIXTURE TYPE. SEE LIGHT FIXTURE SCHEDULE FOR DESCRIPTION.
	4'-0" FLUORESCENT STRIP LIGHT FIXTURE
	WALL MOUNTED LIGHT FIXTURE
	INTERIOR WALL MOUNTED EMERGENCY BATTERY BACK-UP EGRESS LIGHT FIXTURE
	EXIT LIGHT, WALL MOUNTED, DIRECTIONAL ARROW AS INDICATED. SHADING INDICATES FACE
	EXIT/EMERGENCY LIGHT, WALL MOUNTED, DIRECTIONAL ARROW AS INDICATED. SHADING INDICATES FACE
	CEILING FAN

### ENERGY CODE SUMMARY

METHOD OF COMPLIANCE: ENERGY CODE - PRESCRIPTIVE

- ADDITIONAL PRESCRIPTIVE COMPLIANCE:
- C406.2 MORE EFFICIENT HVAC EQUIPMENT PERFORMANCE
  - C406.3 REDUCED LIGHTING POWER DENSITY
  - C406.4 ENHANCED DIGITAL LIGHTING CONTROLS
  - C406.5 ON-SITE RENEWABLE ENERGY
  - C406.6 DEDICATED OUTDOOR AIR SYSTEM
  - C406.7 REDUCED ENERGY USE IN SERVICE WATER HEATING

LIGHTING SCHEDULE  
LAMP TYPE REQUIRED IN FIXTURE  
NUMBER OF LAMPS IN FIXTURE  
BALLAST TYPE USED IN THE FIXTURE  
NUMBER OF BALLASTS IN FIXTURE  
TOTAL WATTAGE PER FIXTURE  
SEE LIGHT FIXTURE SCHEDULE

TOTAL INTERIOR WATTAGE SPECIFIED VS. ALLOWED .58W/ft2 VS. .65W/ft2  
EXTERIOR EFFICIENCY N/A

EQUIPMENT SCHEDULES WITH MOTORS (NOT USED FOR MECHANICAL SYSTEMS)

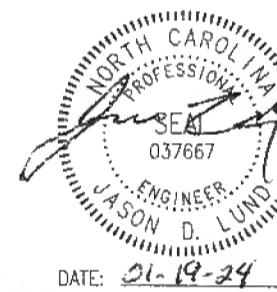
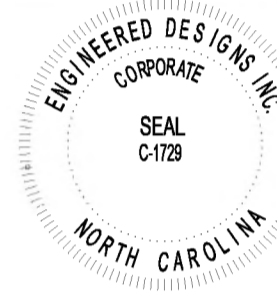
MOTOR HORSEPOWER	<u>N/A</u>
NUMBER OF PHASES	<u>N/A</u>
MINIMUM EFFICIENCY	<u>N/A</u>
MOTOR TYPE	<u>N/A</u>
NUMBER OF POLES	<u>N/A</u>

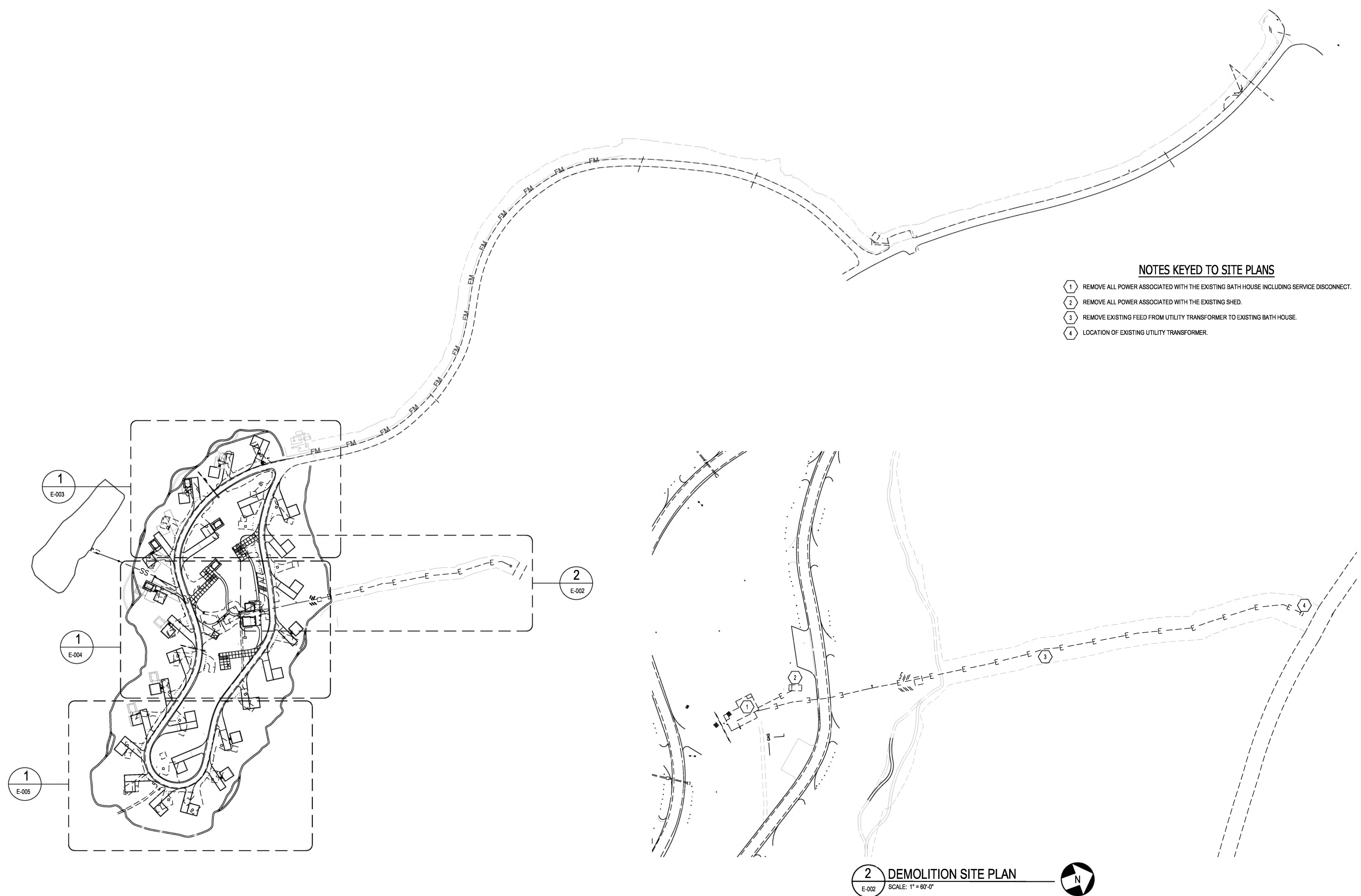
ELECTRICAL DESIGNER STATEMENT

TO THE BEST OF MY KNOWLEDGE AND BELIEF, THE DESIGN OF THIS BUILDING COMPLIES WITH THE ELECTRICAL SYSTEM AND EQUIPMENT REQUIREMENTS OF THE NORTH CAROLINA ENERGY CODE 2018 EDITION

### ABBREVIATIONS

SYMBOL	DESCRIPTION
C	CONDUIT
EGC	EQUIPMENT GROUND CONDUCTOR
EM	EMERGENCY
EWC	ELECTRIC WATER COOLER
EWH	ELECTRIC WATER HEATER
G, GND	GROUND
GEC	GROUNDING ELECTRODE CONDUCTOR
GFI	GROUND FAULT INTERRUPTER
GWH	GAS WATER HEATER
IG	ISOLATED GROUND
IWH	INSTANTANEOUS WATER HEATER
KCML	ONE THOUSAND CIRCULAR MILS
KVA	KILO-VOLT AMPERES
KW	KILOWATTS
KWH	KILOWATT-HOURS
MCB	MAIN CIRCUIT BREAKER
MLO	MAIN LUG ONLY
NEC	NATIONAL ELECTRICAL CODE
'NL'	INDICATES FIXTURE ON UNSWITCHED NIGHT LIGHT CIRCUIT
NTS	NOT TO SCALE
PH, Ø	PHASE
SWBD	SWITCHBOARD
TVSS	TRANSIENT VOLTAGE SURGE SUPPRESSOR (IG)
UNON	UNLESS OTHERWISE NOTED
UPS	UNINTERRUPTIBLE POWER SUPPLY
V	VOLTS
WP	WEATHERPROOF
XFMR	TRANSFORMER

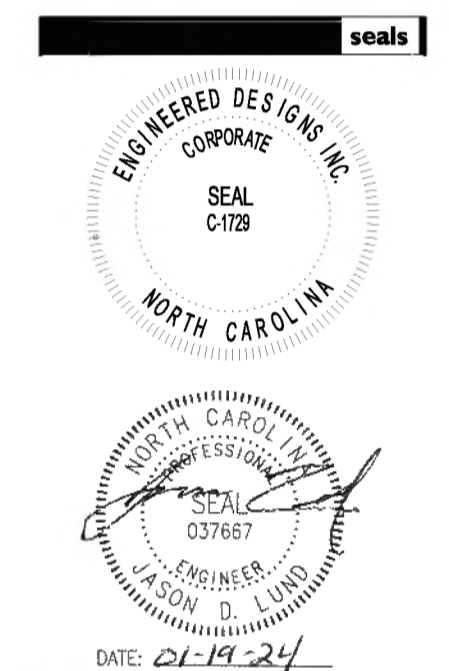




- NOTES KEYED TO SITE PLANS**
- 1 REMOVE ALL POWER ASSOCIATED WITH THE EXISTING BATH HOUSE INCLUDING SERVICE DISCONNECT.
  - 2 REMOVE ALL POWER ASSOCIATED WITH THE EXISTING SHED.
  - 3 REMOVE EXISTING FEED FROM UTILITY TRANSFORMER TO EXISTING BATH HOUSE.
  - 4 LOCATION OF EXISTING UTILITY TRANSFORMER.

**1 OVERALL SITE PLAN**  
E-002 SCALE: 1" = 120'-0"

**2 DEMOLITION SITE PLAN**  
E-002 SCALE: 1" = 60'-0"



**revisions**

#	date	note

PROJECT	1394-21
DATE	01/19/24
DRAWN	DJH
CHECKED	JDL

**SITE UNDERGROUND UTILITIES AND VEGETATION COORDINATION NOTE**

THE CONTRACTOR SHALL BE RESPONSIBLE FOR FULLY COORDINATING ALL TRADES PRIOR TO ANY DISTURBANCE OF EXISTING SITE CONDITIONS. THE CONTRACTOR SHALL FIELD COORDINATE ROUTING OF ALL UNDERGROUND WATER, WASTE AND ELECTRICAL FEEDERS WITH EXISTING AND NEW VEGETATION ELEMENTS TO PREVENT ADDITIONAL REMOVAL / RELOCATION OF VEGETATION TO INSTALL THESE UTILITIES. THE LOCATIONS OF ALL UNDERGROUND UTILITIES SHOWN ON DRAWINGS HAVE BEEN COORDINATED IN DESIGN BUT ARE DIAGRAMMATIC IN NATURE AND NOT INTENDED TO BE EXACT LOCATIONS. THE CONTRACTOR SHALL BE RESPONSIBLE FOR INCLUDING ALL NECESSARY LABOR AND MATERIALS IN THE BID TO PROVIDE FULLY FUNCTIONING UTILITY SYSTEMS AS SHOWN ON DRAWINGS.

**ENCLOSURE CONDUIT NOTE**

ALL CONDUITS ENTERING/EXITING EQUIPMENT, ENCLOSURES AND RECEPTACLES SHALL BE BOTTOM FEED ONLY. TO KEEP WATER FROM BEING DIRECTLY ROUTED TO INTERNAL PARTS OF EQUIPMENT AND ENCLOSURES. CONTRACTOR SHALL NOT TOP FEED OR SIDE FEED ANY EQUIPMENT OR ENCLOSURES EXCEPT FOR EQUIPMENT/ENCLOSURES LOCATED INSIDE THE SHOWER HOUSE BUILDING. CONTRACTOR SHALL NOTIFY THE ENGINEER OF RECORD IF ANY CONFLICTS ARISE WITH THIS REQUIREMENT PRIOR TO INSTALLING CONDUITS AND CONDUCTORS.

**SITE CONDUIT ROUTING NOTE**

COORDINATE ALL CONDUIT ROUTING PATHS WITH EXISTING/NEW BELOW GRADE UTILITIES PRIOR TO PERFORMING ANY TRENCHING. ALL UNDERGROUND FEEDERS AND BRANCH CIRCUITS SHALL HAVE UNDERGROUND-LINE WARNING TAPE INSTALLED ABOVE THE CONDUIT. REFER TO SPECIFICATION 260553-IDENTIFICATION FOR ELECTRICAL SYSTEMS FOR MORE INFORMATION.

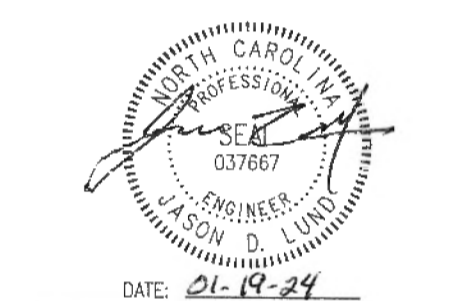
ALL CONDUIT ROUTING SHALL BE COORDINATED WITH ALL ELEMENTS OF THE LANDSCAPE DESIGN PRIOR TO ROUGH-IN. THE CONTRACTOR IS RESPONSIBLE FOR VERIFYING ALL ROUTES AND METHODS OF ROUTING PRIOR TO PERFORMING WORK. CONTRACTOR SHALL COORDINATE ALL INVERTS AND ELEVATIONS OF UNDERGROUND CONDUITS WITH CIVIL/SITE ENGINEER PRIOR TO ROUGH-IN.

**NOTES KEYED TO SITE PLAN**

- 1 ALL ELECTRICAL EXTERIOR MOUNTED PANELBOARDS SHALL BE AT A MINIMUM ELEVATION VERIFIED WITH CIVIL/SITE ENGINEER AND GENERAL CONTRACTOR. THIS DOES NOT RELIEVE THE CONTRACTOR FROM COMPLIANCE WITH NEC 240.24 "LOCATION IN OR ON PREMISES". OVERCURRENT DEVICES (CIRCUIT BREAKERS) SHALL BE READILY ACCESSIBLE AND SHALL BE INSTALLED SO THAT THE CENTER OF THE GRIP OF THE OPERATING HANDLE OF THE SWITCH OR CIRCUIT BREAKER, WHEN IN ITS HIGHEST POSITION, IS NOT MORE THAN 6'-7" ABOVE FINISHED GRADE.
- 2 THE BOTTOM OF ALL CAMPSITE RV PEDESTAL-MOUNTED POWER OUTLET PANELS SHALL BE AT A MINIMUM ELEVATION AS COORDINATED WITH CIVIL/SITE ENGINEER AND GENERAL CONTRACTOR PRIOR TO ROUGH-IN OF ANY EQUIPMENT. MATERIALS AND INSTALLATION OF ALL EQUIPMENT/DEVICES ASSOCIATED WITH THE RV POWER PEDESTAL AND ITS ASSOCIATED POWER CIRCUITRY, THAT SUPPLIES POWER TO THESE PIECES OF EQUIPMENT, SHALL STRICTLY ADHERE TO NEC "ARTICLE 551-RECREATIONAL VEHICLES AND RECREATIONAL VEHICLE PARKS". PROVIDE (1) 10'-0" GROUND ROD AND CONNECT TO PEDESTAL GROUND LUG AS SHOWN ON DETAILS.
- 3 MOUNT PANEL 'W' TO THE BACK OF THE CONTROL PANEL SUPPORT STRUCTURE. REFER TO DETAIL SHEETS FOR SUPPORT STRUCTURE INFORMATION.
- 4 PROVIDE WEATHERPROOF, GFI-PROTECTED RECEPTACLE AT SERVICE RACK. REFER TO SERVICE RACK DETAIL AND PANEL SCHEDULES.



**1 ELECTRICAL SITE PLAN**  
E-003 SCALE: 1" = 20'-0"



DATE: 01-19-24

#	date	note

PROJECT	1394-21
DATE	01/19/24
DRAWN	DJH
CHECKED	JDL

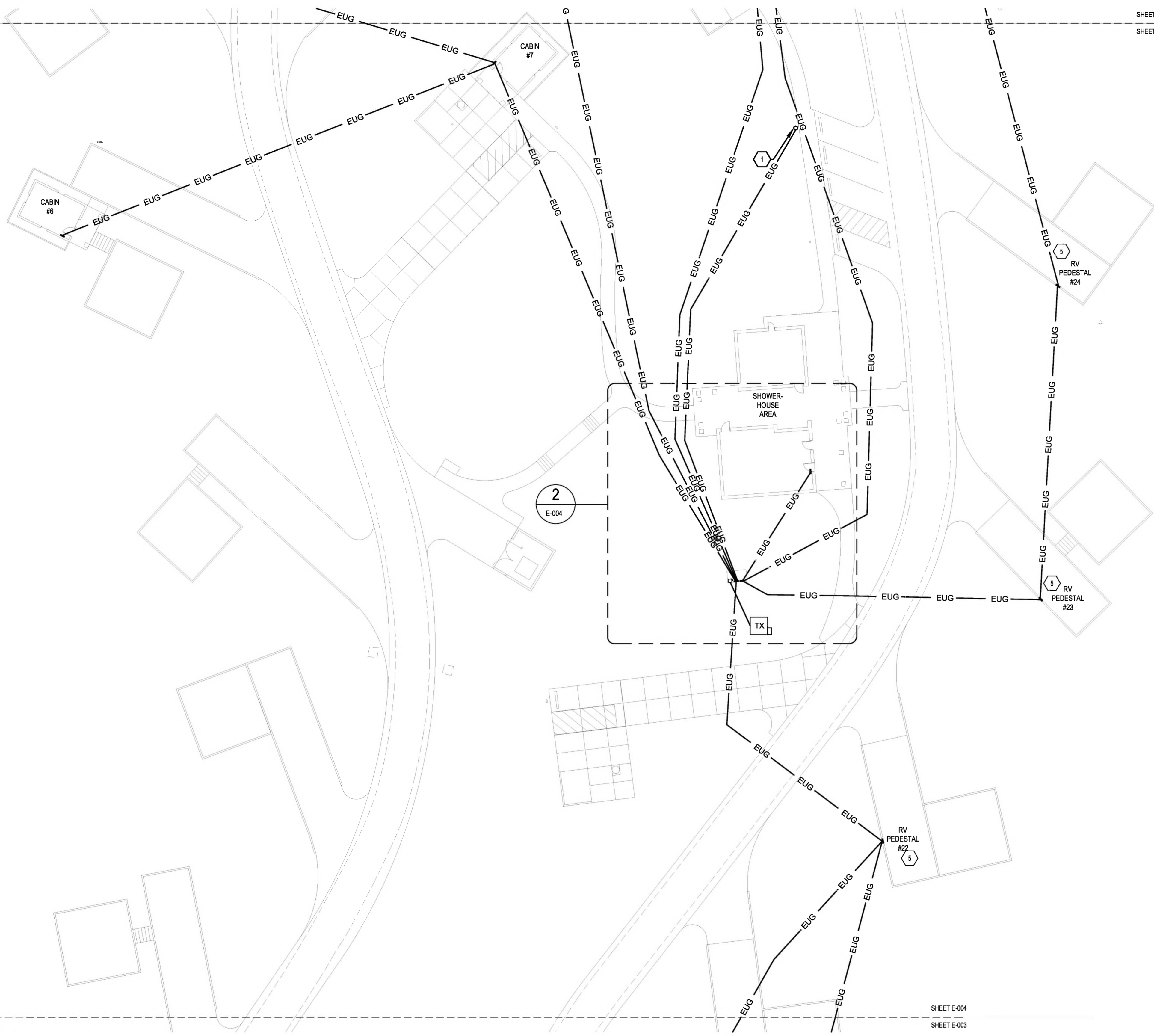
10/25/2023 4:28:12 PM

SHEET E-005  
SHEET E-004

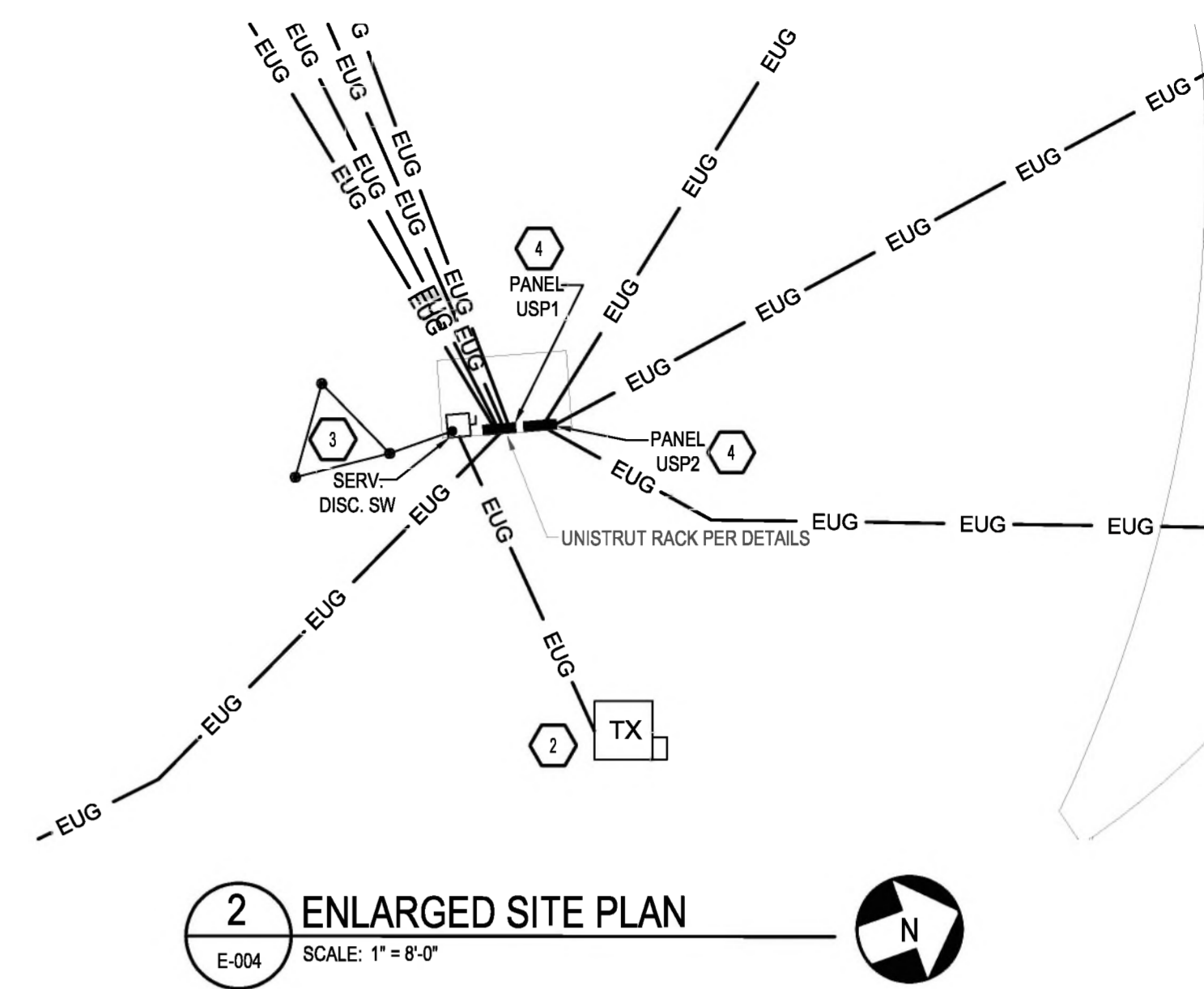
SHEET E-005  
SHEET E-004

SHEET E-004  
SHEET E-003

SHEET E-004  
SHEET E-003



**1 ELECTRICAL SITE PLAN**  
E-004 SCALE: 1" = 20'-0"



**2 ENLARGED SITE PLAN**  
E-004 SCALE: 1" = 8'-0"

**SITE SERVICE TRANSFORMER NOTE**

CONTRACTOR SHALL FIELD VERIFY EXACT LOCATION OF THE NEW BUILDING SITE SERVICE TRANSFORMER WITH THE CIVIL/SITE ENGINEER, LOCAL POWER COMPANY REPRESENTATIVE AND THE GENERAL CONTRACTOR. CONTRACTOR SHALL VERIFY WITH THE LOCAL POWER COMPANY AS TO WHO IS RESPONSIBLE FOR PROVIDING THE NEW ELECTRICAL SERVICE FEEDERS/CONDUIT AS INDICATED ON THE ELECTRICAL RISER DIAGRAM. CONTRACTOR SHALL ASSUME (UNLESS DIRECTED OTHERWISE) THE RESPONSIBILITY OF PROVIDING AND INSTALLING THE NEW BUILDING SERVICE ENTRANCE CONDUCTORS AS INDICATED ON THE RISER DIAGRAM. CONTRACTOR SHALL INSTALL NEW SERVICE ENTRANCE CONDUCTORS AND CONDUITS PER THE PLANS/SPECIFICATIONS. IN THE EVENT THAT THE LOCAL POWER COMPANY PROVIDES AND INSTALLS THE NEW ELECTRICAL SERVICE ENTRANCE CONDUCTORS/CONDUIT AS INDICATED ON THE ELECTRICAL RISER DIAGRAM TO THESE SERVICES, THEN THE CONTRACTOR SHALL PROVIDE CREDIT BACK TO THE OWNER FOR THE WORK NOT REQUIRED TO BE PERFORMED. CONTRACTOR SHALL PROVIDE A SEPARATE COST BREAKOUT TO PERFORM THIS WORK TO THE OWNER DURING THE BID PHASE.

**SITE UNDERGROUND UTILITIES NOTE**

THE CONTRACTOR SHALL BE RESPONSIBLE FOR FULLY COORDINATING ALL TRADES PRIOR TO ANY DISTURBANCE OF EXISTING SITE CONDITIONS. THE CONTRACTOR SHALL FIELD COORDINATE ROUTING OF ALL UNDERGROUND WATER, WASTE AND ELECTRICAL FEEDERS WITH EXISTING AND NEW VEGETATION ELEMENTS TO PREVENT ADDITIONAL REMOVAL / RELOCATION OF VEGETATION TO INSTALL THESE UTILITIES. THE LOCATIONS OF ALL UNDERGROUND UTILITIES SHOWN ON DRAWINGS HAVE BEEN COORDINATED IN DESIGN BUT ARE DIAGRAMMATIC IN NATURE AND NOT INTENDED TO BE EXACT LOCATIONS. THE CONTRACTOR SHALL BE RESPONSIBLE FOR INCLUDING ALL NECESSARY LABOR AND MATERIALS IN THE BID TO PROVIDE FULLY FUNCTIONING UTILITY SYSTEMS AS SHOWN ON DRAWINGS.

**ENCLOSURE CONDUIT NOTE**

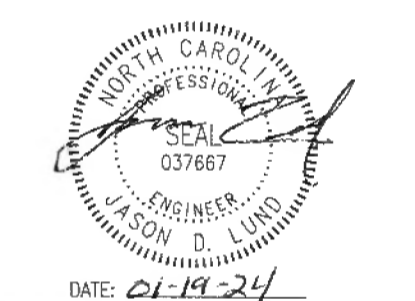
ALL CONDUITS ENTERING/EXITING EQUIPMENT, ENCLOSURES AND RECEPTACLES SHALL BE BOTTOM FEED ONLY, TO KEEP WATER FROM BEING DIRECTLY ROUTED TO INTERNAL PARTS OF EQUIPMENT AND ENCLOSURES. CONTRACTOR SHALL NOT TOP FEED OR SIDE FEED ANY EQUIPMENT OR ENCLOSURES EXCEPT FOR EQUIPMENT/ENCLOSURES LOCATED INSIDE THE SHOWER HOUSE BUILDING. CONTRACTOR SHALL NOTIFY THE ENGINEER OF RECORD IF ANY CONFLICTS ARISE WITH THIS REQUIREMENT PRIOR TO INSTALLING CONDUITS AND CONDUCTORS.

**SITE CONDUIT ROUTING NOTE**

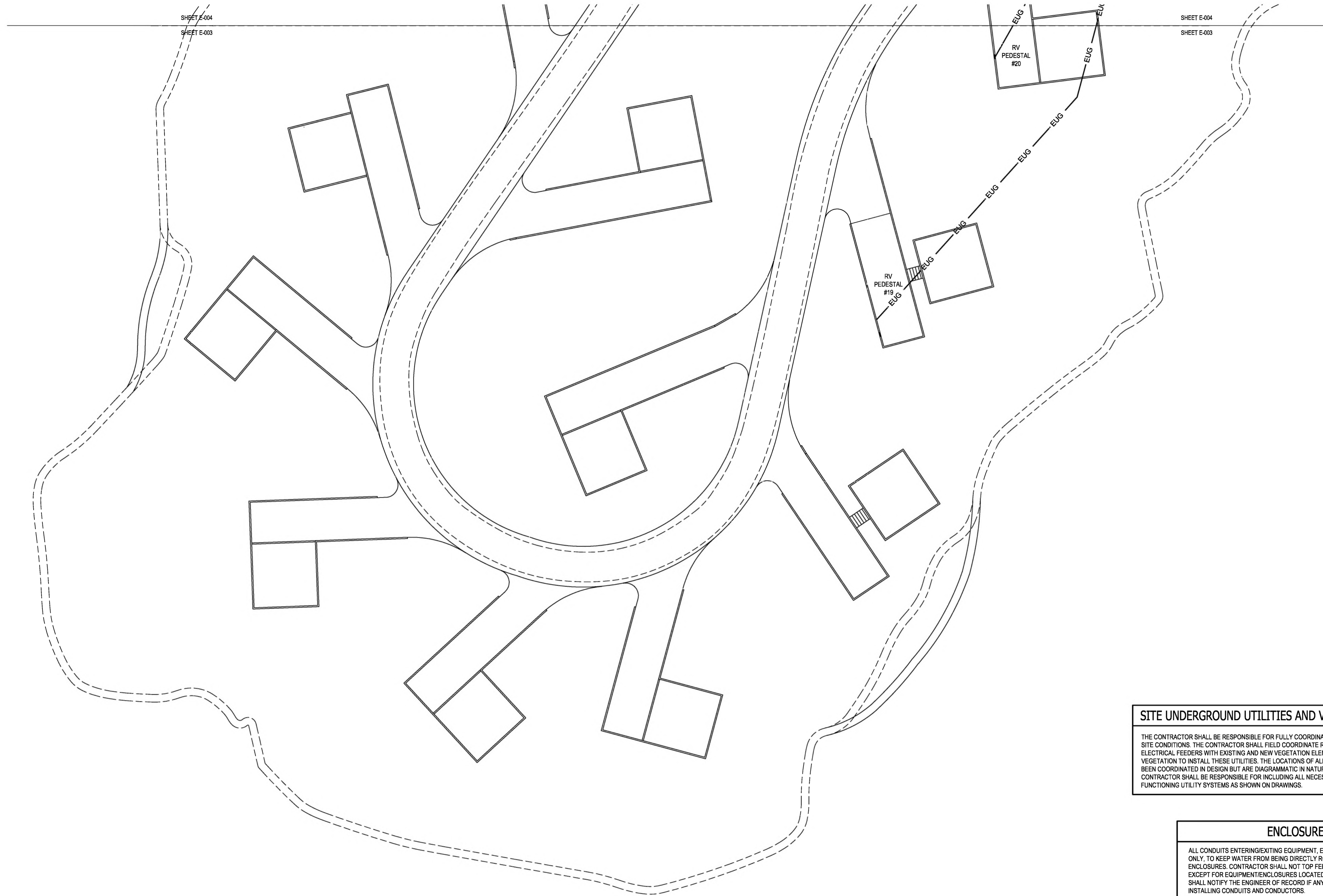
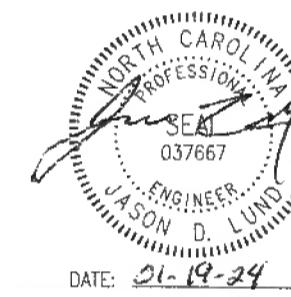
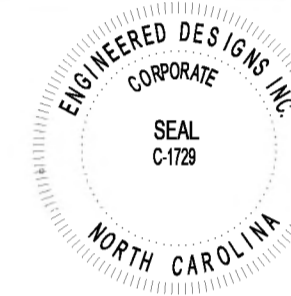
COORDINATE ALL CONDUIT ROUTING PATHS WITH EXISTING NEW BELOW GRADE UTILITIES PRIOR TO PERFORMING ANY TRENCHING. ALL UNDERGROUND FEEDERS AND BRANCH CIRCUITS SHALL HAVE UNDERGROUND-LINE WARNING TAPE INSTALLED ABOVE THE CONDUIT. REFER TO SPECIFICATION 280553-IDENTIFICATION FOR ELECTRICAL SYSTEMS FOR MORE INFORMATION.

ALL CONDUIT ROUTING SHALL BE COORDINATED WITH ALL ELEMENTS OF THE LANDSCAPE DESIGN PRIOR TO ROUGH-IN. THE CONTRACTOR IS RESPONSIBLE FOR VERIFYING ALL ROUTES AND METHODS OF ROUTING PRIOR TO PERFORMING WORK. CONTRACTOR SHALL COORDINATE ALL INVERTS AND ELEVATIONS OF UNDERGROUND CONDUITS WITH CIVIL/SITE ENGINEER PRIOR TO ROUGH-IN.

- NOTES KEYED TO SITE PLAN**
- STUB AND CAP 1" CONDUIT AT 6" BELOW PANEL USP2 AND AT 3" BELOW GRADE AT LOCATION OF FUTURE CHARGING STATION. USE WEATHERPROOF CAPS AND PROVIDE CONDUIT WITH PULL STRING. MARK LOCATION OF UNDERGROUND CONDUIT STUB-UP. LABEL CONDUIT AT PANEL AS FUTURE CHARGING STATION.
  - NEW PROPOSED ELECTRICAL UTILITY SITE TRANSFORMER AND METER BASE LOCATION. CONTRACTOR TO COORDINATE THE ORIENTATION AND EXACT LOCATION OF THE NEW SITE PAD MOUNTED UTILITY TRANSFORMER WITH THE LOCAL POWER COMPANY AND GENERAL CONTRACTOR PRIOR TO INSTALLATION OF SECONDARY SERVICE DUCTBANK. REFER TO SITE/CIVIL PLANS FOR EXACT LOCATION OF TRANSFORMER.
  - PROVIDE AND INSTALL THE NEW ELECTRICAL SERVICE GROUND GRID. COORDINATE EXACT LOCATION IN FIELD WITH ALL OTHER UTILITIES IN THIS AREA PRIOR TO INSTALLATION. REFER TO GROUNDING DETAILS AND THE SPECIFICATIONS FOR ADDITIONAL INFORMATION.
  - MOUNT ELECTRICAL EXTERIOR MOUNTED PANELBOARDS TO EXTERIOR UNISTRUT RACK. COORDINATE WITH CIVIL AND LANDSCAPE PLANS. THIS DOES NOT RELIEVE THE CONTRACTOR FROM COMPLIANCE WITH NEC 240.24 "LOCATION IN OR ON PREMISES". OVERCURRENT DEVICES (CIRCUIT BREAKERS) SHALL BE READILY ACCESSIBLE AND SHALL BE INSTALLED SO THAT THE CENTER OF THE GRIP OF THE OPERATING HANDLE OF THE SWITCH OR CIRCUIT BREAKER, WHEN IN ITS HIGHEST POSITION, IS NOT MORE THAN 6'-7" ABOVE FINISHED GRADE.
  - THE BOTTOM OF ALL CAMPSITE RV PEDESTAL-MOUNTED POWER OUTLET PANELS SHALL BE AT A MINIMUM ELEVATION AS COORDINATED WITH CIVIL/SITE ENGINEER AND GENERAL CONTRACTOR PRIOR TO ROUGH-IN OF ANY EQUIPMENT. MATERIALS AND INSTALLATION OF ALL EQUIPMENT/DEVICES ASSOCIATED WITH THE RV POWER PEDESTAL AND ITS ASSOCIATED POWER CIRCUITRY, THAT SUPPLIES POWER TO THESE PIECES OF EQUIPMENT, SHALL STRICTLY ADHERE TO NEC "ARTICLE 55-RECREATIONAL VEHICLES AND RECREATIONAL VEHICLE PARKS". PROVIDE (1) 10'-0" GROUND ROD AND CONNECT TO PEDESTAL GROUND LUG AS SHOWN ON DETAILS.



DATE: 01-19-24  
**revisions**  
# date note



**SITE UNDERGROUND UTILITIES AND VEGETATION COORDINATION NOTE**

THE CONTRACTOR SHALL BE RESPONSIBLE FOR FULLY COORDINATING ALL TRADES PRIOR TO ANY DISTURBANCE OF EXISTING SITE CONDITIONS. THE CONTRACTOR SHALL FIELD COORDINATE ROUTING OF ALL UNDERGROUND WATER, WASTE AND ELECTRICAL FEEDERS WITH EXISTING AND NEW VEGETATION ELEMENTS TO PREVENT ADDITIONAL REMOVAL / RELOCATION OF VEGETATION TO INSTALL THESE UTILITIES. THE LOCATIONS OF ALL UNDERGROUND UTILITIES SHOWN ON DRAWINGS HAVE BEEN COORDINATED IN DESIGN BUT ARE DIAGRAMMATIC IN NATURE AND NOT INTENDED TO BE EXACT LOCATIONS. THE CONTRACTOR SHALL BE RESPONSIBLE FOR INCLUDING ALL NECESSARY LABOR AND MATERIALS IN THE BID TO PROVIDE FULLY FUNCTIONING UTILITY SYSTEMS AS SHOWN ON DRAWINGS.

**ENCLOSURE CONDUIT NOTE**

ALL CONDUITS ENTERING/EXITING EQUIPMENT, ENCLOSURES AND RECEPTACLES SHALL BE BOTTOM FEED ONLY, TO KEEP WATER FROM BEING DIRECTLY ROUTED TO INTERNAL PARTS OF EQUIPMENT AND ENCLOSURES. CONTRACTOR SHALL NOT TOP FEED OR SIDE FEED ANY EQUIPMENT OR ENCLOSURES EXCEPT FOR EQUIPMENT/ENCLOSURES LOCATED INSIDE THE SHOWER HOUSE BUILDING. CONTRACTOR SHALL NOTIFY THE ENGINEER OF RECORD IF ANY CONFLICTS ARISE WITH THIS REQUIREMENT PRIOR TO INSTALLING CONDUITS AND CONDUCTORS.

**SITE CONDUIT ROUTING NOTE**

COORDINATE ALL CONDUIT ROUTING PATHS WITH EXISTING/NEW BELOW GRADE UTILITIES PRIOR TO PERFORMING ANY TRENCHING. ALL UNDERGROUND FEEDERS AND BRANCH CIRCUITS SHALL HAVE UNDERGROUND-LINE WARNING TAPE INSTALLED ABOVE THE CONDUIT. REFER TO SPECIFICATION 260553-IDENTIFICATION FOR ELECTRICAL SYSTEMS FOR MORE INFORMATION.

ALL CONDUIT ROUTING SHALL BE COORDINATED WITH ALL ELEMENTS OF THE LANDSCAPE DESIGN PRIOR TO ROUGH-IN. THE CONTRACTOR IS RESPONSIBLE FOR VERIFYING ALL ROUTES AND METHODS OF ROUTING PRIOR TO PERFORMING WORK. CONTRACTOR SHALL COORDINATE ALL INVERTS AND ELEVATIONS OF UNDERGROUND CONDUITS WITH CIVIL/SITE ENGINEER PRIOR TO ROUGH-IN.

1 ELECTRICAL SITE PLAN  
E-005 SCALE: 1" = 20'-0"

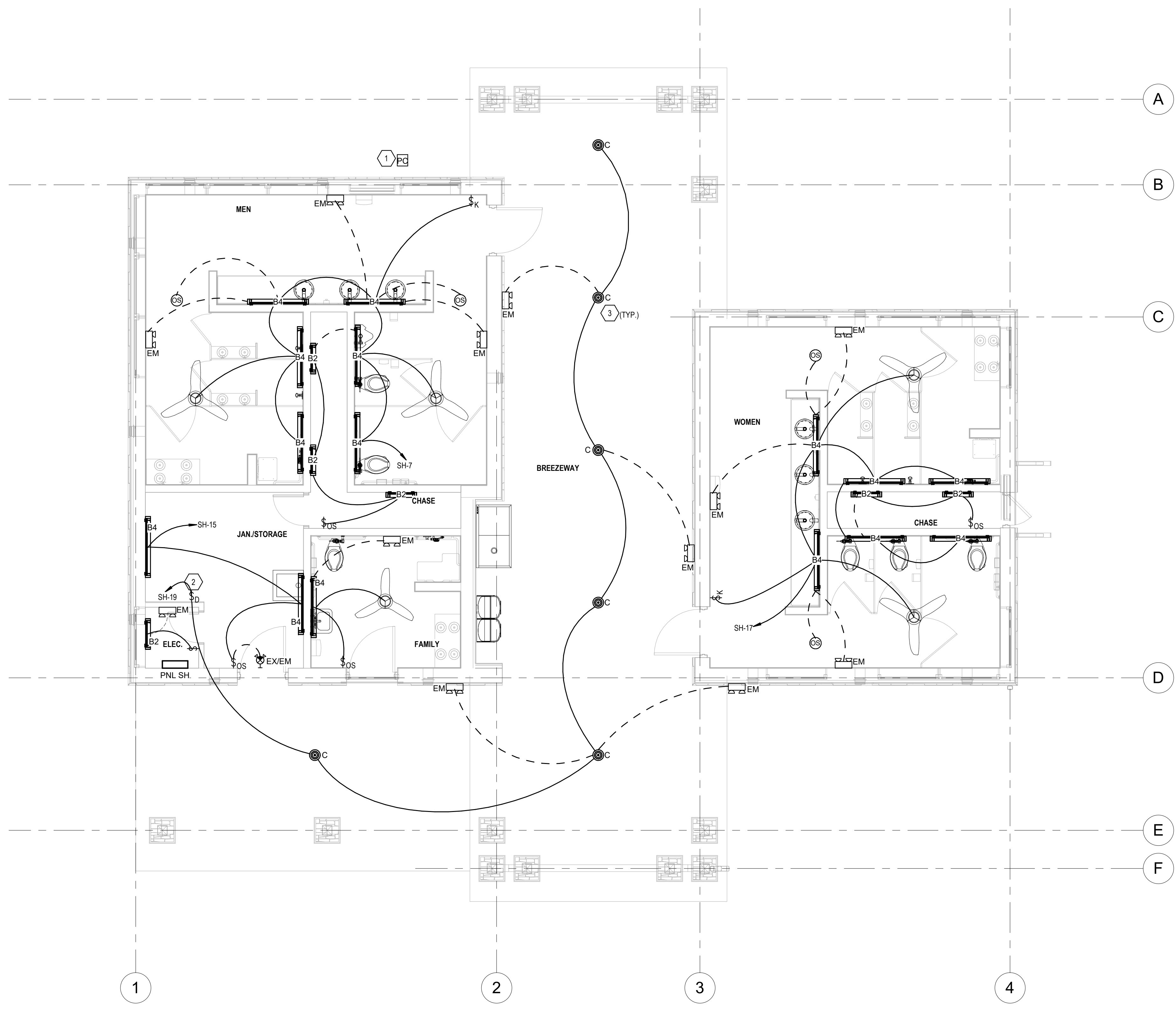


GENERAL NOTES:

A. TYPE C FIXTURES SHALL BE PENDANT MOUNTED FOR THE BOTTOM OF THE FIXTURE TO BE AT 10' A.F.F..

KEYED NOTES:

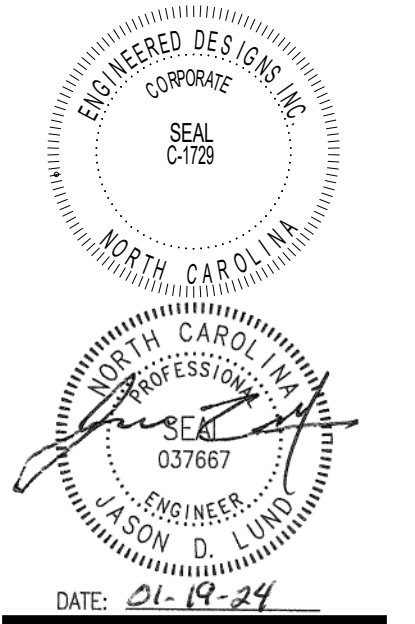
- 1 MOUNT PHOTOCELL AT PEAK OF SHOWERHOUSE ROOF AND CONNECT TO TYPE 'C' FIXTURES.
- 2 PROVIDE DIMMER SWITCH FOR EXTERIOR TYPE 'C' FIXTURES. PROVIDE PHENOLIC LABEL FOR SWITCH READING 'SWITCH TO CONTROL EXTERIOR LIGHT LEVEL'.
- 3 MOUNT TYPE 'C' PENDANT FIXTURES AT 9' ABOVE FINISHED FLOOR TO BOTTOM OF FIXTURE.



1 SHOWER HOUSE LIGHTING  
 E-101 SCALE: 1/4" = 1'-0"

Bid Set

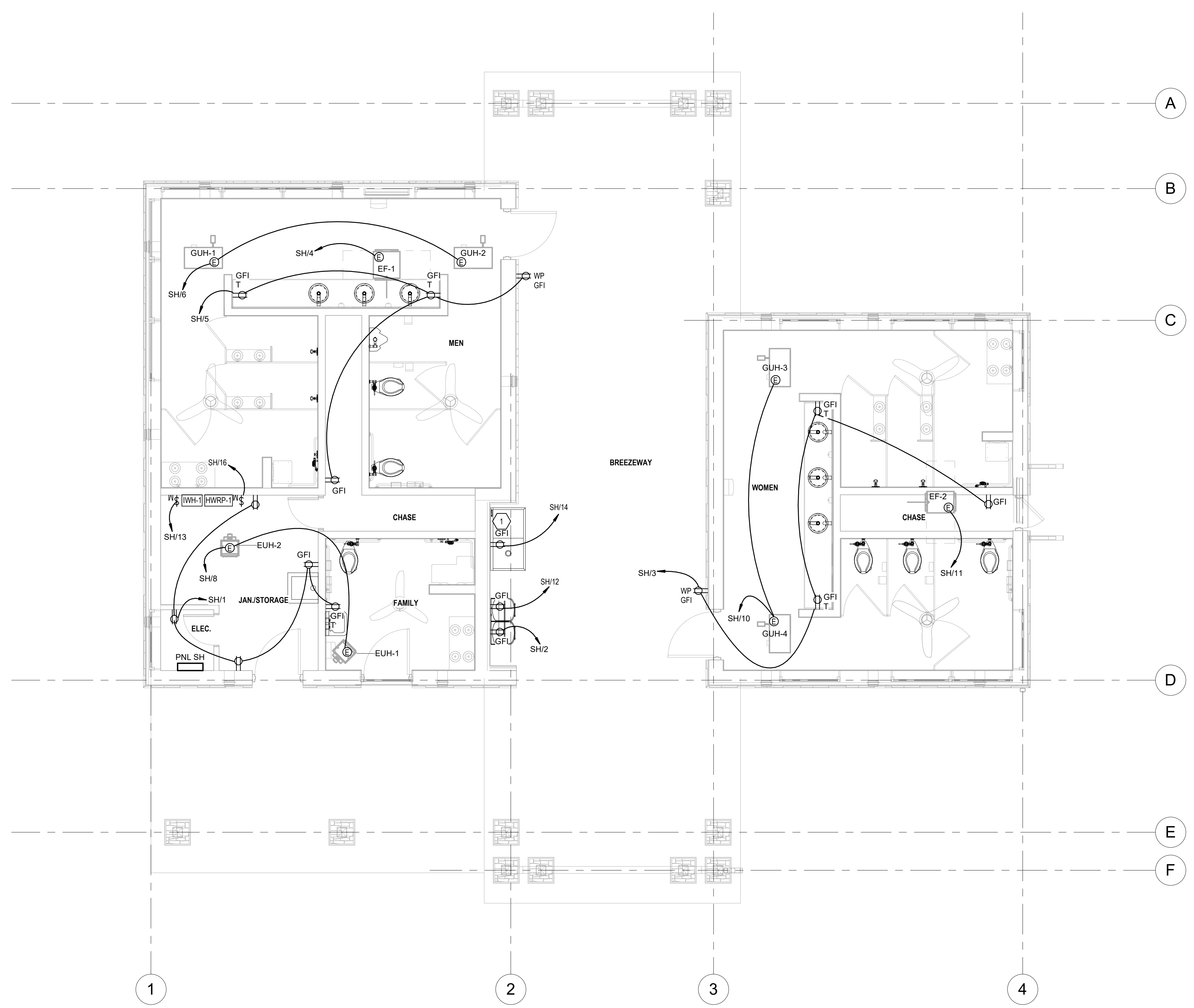
SCO ID#  
 16-14421-01A



# date note

PROJECT 1394-21  
 DATE 01/19/24  
 DRAWN DJH  
 CHECKED JDL

SHOWERHOUSE  
 LIGHTING



**1 SHOWER HOUSE POWER**  
 E-201 SCALE: 1/4" = 1'-0"

**GENERAL NOTES:**

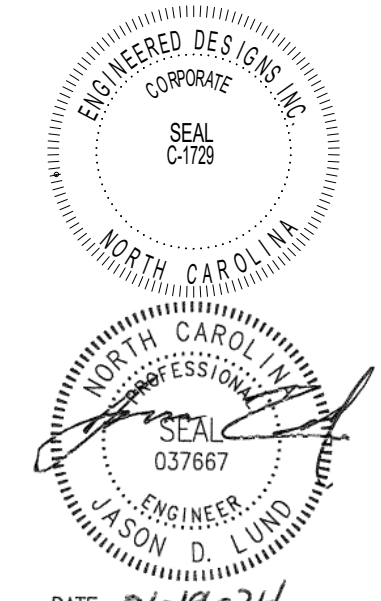
A. ALL UNIT HEATERS AND EXHAUST FAN DISCONNECT SWITCHES ARE TO BE PROVIDED BY THE MECHANICAL CONTRACTOR UNLESS OTHERWISE NOTED.

**KEYED NOTES:**

1 COORDINATE POWER CONNECTION REQUIREMENTS FOR SINK SENSOR WITH PLUMBING SHEETS.

**Bid Set**

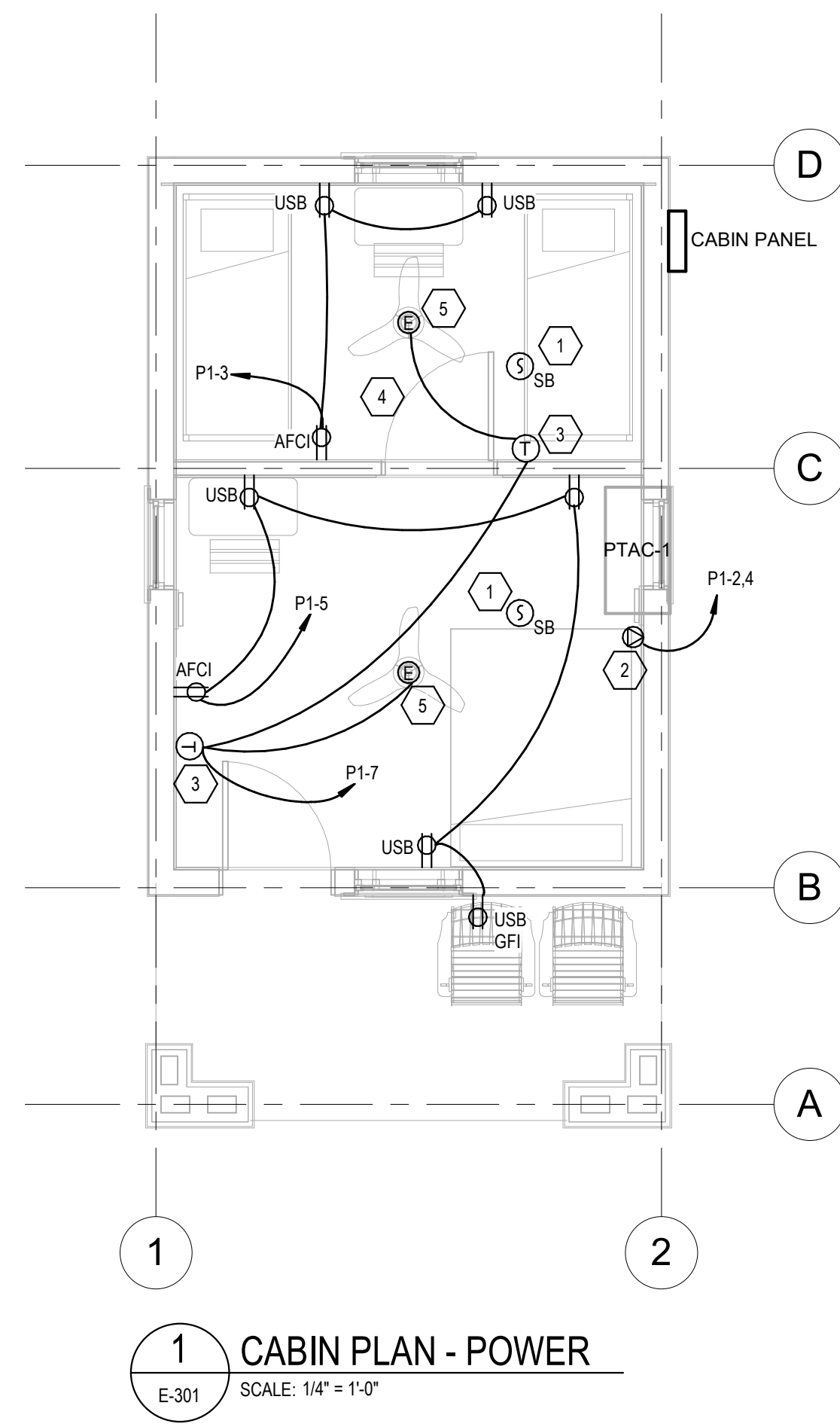
**SCO ID#**  
**16-14421-01A**



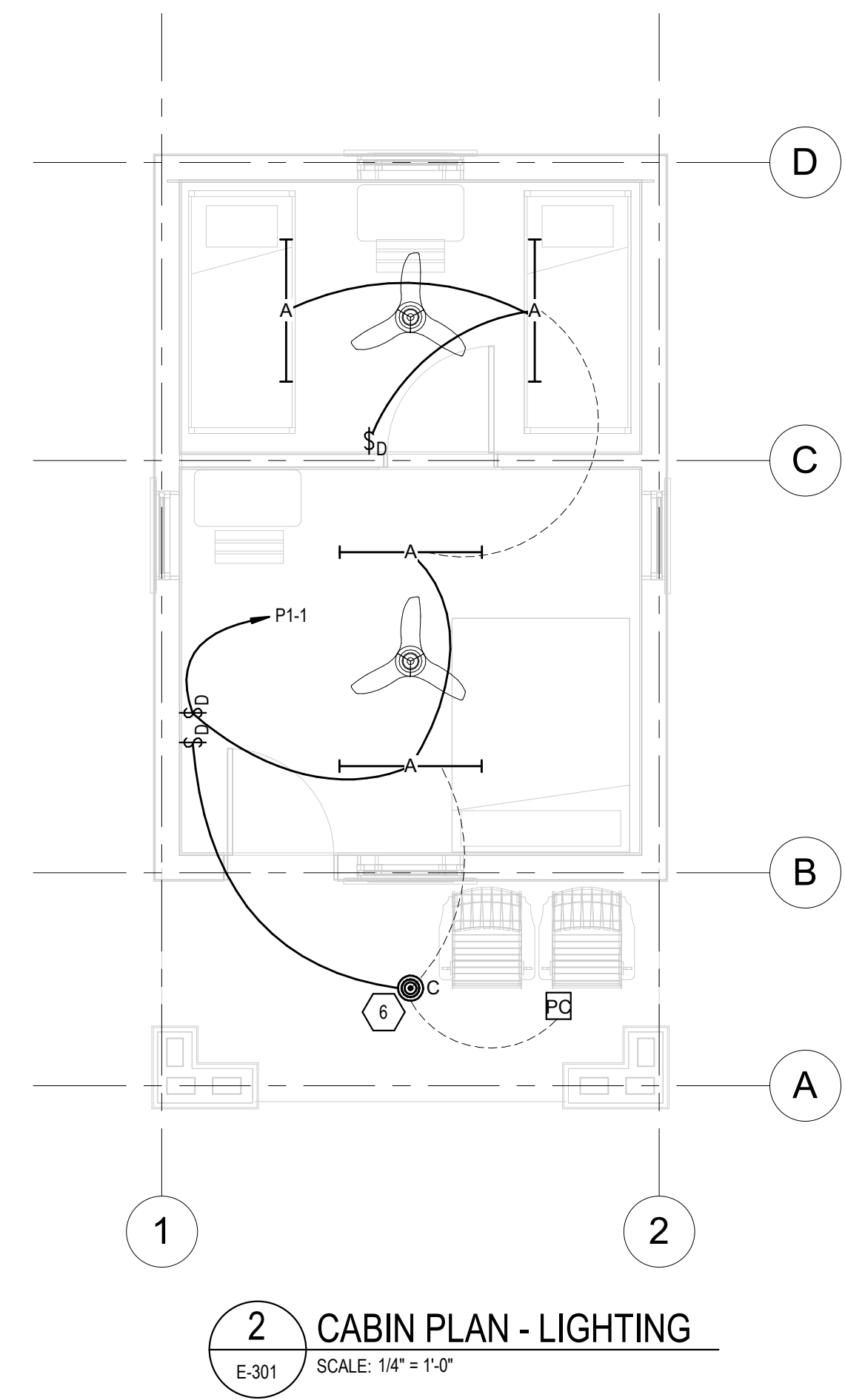
# date note

PROJECT 1394-21  
 DATE 01/19/24  
 DRAWN DJH  
 CHECKED JDL

**SHOWERHOUSE POWER**



**1 CABIN PLAN - POWER**  
E-301 SCALE: 1/4" = 1'-0"



**2 CABIN PLAN - LIGHTING**  
E-301 SCALE: 1/4" = 1'-0"

**KEYED NOTES:**

- 1 NEW SMOKE ALARM TO BE HARD WIRED FROM NEW PANEL (CIRCUIT #6) AND SHALL ALSO HAVE BACK-UP BATTERIES. LOCATE SMOKE ALARM A MINIMUM OF 36" (IN HORIZONTAL PATH) FROM CEILING FAN TIP. SMOKE DETECTORS SHALL BE LOW-FREQUENCY TYPE IN ACCORDANCE WITH 2013 NFPA 72 18.4.3.
- 2 PROVIDE NEMA6-15R 208V/1ph RECEPTACLE FOR PTAC UNIT. COORDINATE RECEPTACLE WITH EQUIPMENT SUPPLIED.
- 3 PROVIDE POWER CONNECTION TO CEILING FAN CONTROLLER. COORDINATE EXACT LOCATION OF CONTROLLER WITH MECHANICAL.
- 4 COORDINATE MOUNTING HEIGHT OF RECEPTACLES (66" AFF, 14" AFF, ETC.) IN BACK ROOM WITH ARCHITECT TO ACCOMMODATE RESIDENTS PLUGGING IN DEVICES.
- 5 PROVIDE NEC APPROVED CEILING FAN BOX. MOUNT AT ROOF LEVEL ON ROOF RIDGE BEAM. PROVIDE POWER CONNECTION FROM CEILING FAN BOX TO THE WALL MOUNTED CONTROLLER.
- 6 MOUNT TYPE 'C' FIXTURE AT 8' A.F.F. TO BOTTOM OF FIXTURE.

**ARC-FAULT INTERRUPTER NOTE TO CONTRACTOR**

PROVIDE ARC FAULT CIRCUIT INTERRUPTER (AFCI) PROTECTION AT FIRST RECEPTACLE IN THE CIRCUIT AS REQUIRED PER NEC (2020) 210.12(A)(5).

**EQUIPMENT/FIXTURE/DEVICE COORDINATION NOTE**

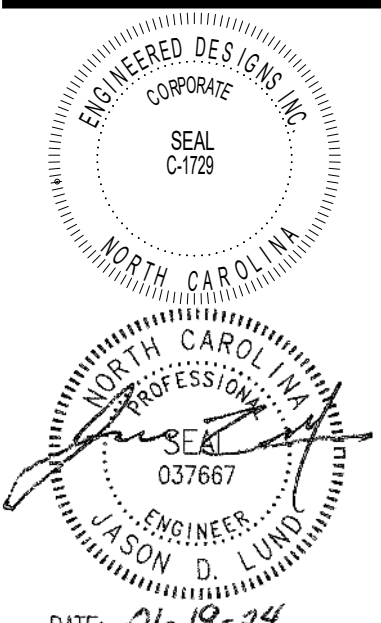
ALL LOCATIONS AND MOUNTING HEIGHTS OF WALL MOUNTED DEVICES, LIGHT SWITCHES, LIGHT FIXTURES (INTERIOR & EXTERIOR), DISCONNECT SAFETY SWITCHES, MOTOR RATED SWITCHES, PANELBOARDS, ETC... SHALL BE CLOSELY COORDINATED WITH THE ARCHITECTURAL PLANS AND SHALL ALSO BE APPROVED BY THE OWNERS REPRESENTATIVE AND/OR ARCHITECT PRIOR TO ROUGH-IN. MOUNTING HEIGHTS OF LIGHT FIXTURES, RECEPTACLES, LIGHT SWITCHES, DISCONNECT SAFETY SWITCHES, PANELBOARDS, MOTOR RATED SWITCHES, ETC... MAY VARY DEPENDING ON THE CASEWORK, DOOR, WINDOW, CEILING, ETC... INFORMATION. CONTRACTOR WILL BE RESPONSIBLE FOR REVIEWING ALL OTHER PROJECT PLANS (PARTICULARLY THE ARCHITECTURAL AND STRUCTURAL PLANS), PROPERLY COORDINATING ALL EQUIPMENT LOCATIONS/MOUNTING HEIGHTS AND HAVING THE OWNERS REPRESENTATIVE AND/OR ARCHITECT VERIFY THE LOCATIONS SO THAT THE POWER/LIGHTING CONDUITS, DEVICE BACK BOXES, JUNCTION BOXES, PULL BOXES, ETC... ARE PROPERLY ROUGHED-IN TO AVOID ANY POTENTIAL CONFLICT OF OTHER TRADES.

\*\*ANY DEVICES THAT ARE NOT LOCATED IN THE CORRECT LOCATIONS WILL BE REMOVED AND RELOCATED AT THE CONTRACTORS EXPENSE. ANY WALLS OR CEILINGS THAT ARE REQUIRED TO BE PATCHED DUE TO THE INCORRECT LOCATION OF DEVICES WILL ALSO BE PATCHED AND REFINISHED AT THE CONTRACTORS EXPENSE IF COORDINATION OF EQUIPMENT/DEVICES IS NOT PERFORMED WITH THE OWNERS REPRESENTATIVE AND/OR ARCHITECT PRIOR TO ROUGH-IN.

1/15/2024 11:23:38 AM

**Bid Set**

**SCO ID#**  
**16-14421-01A**



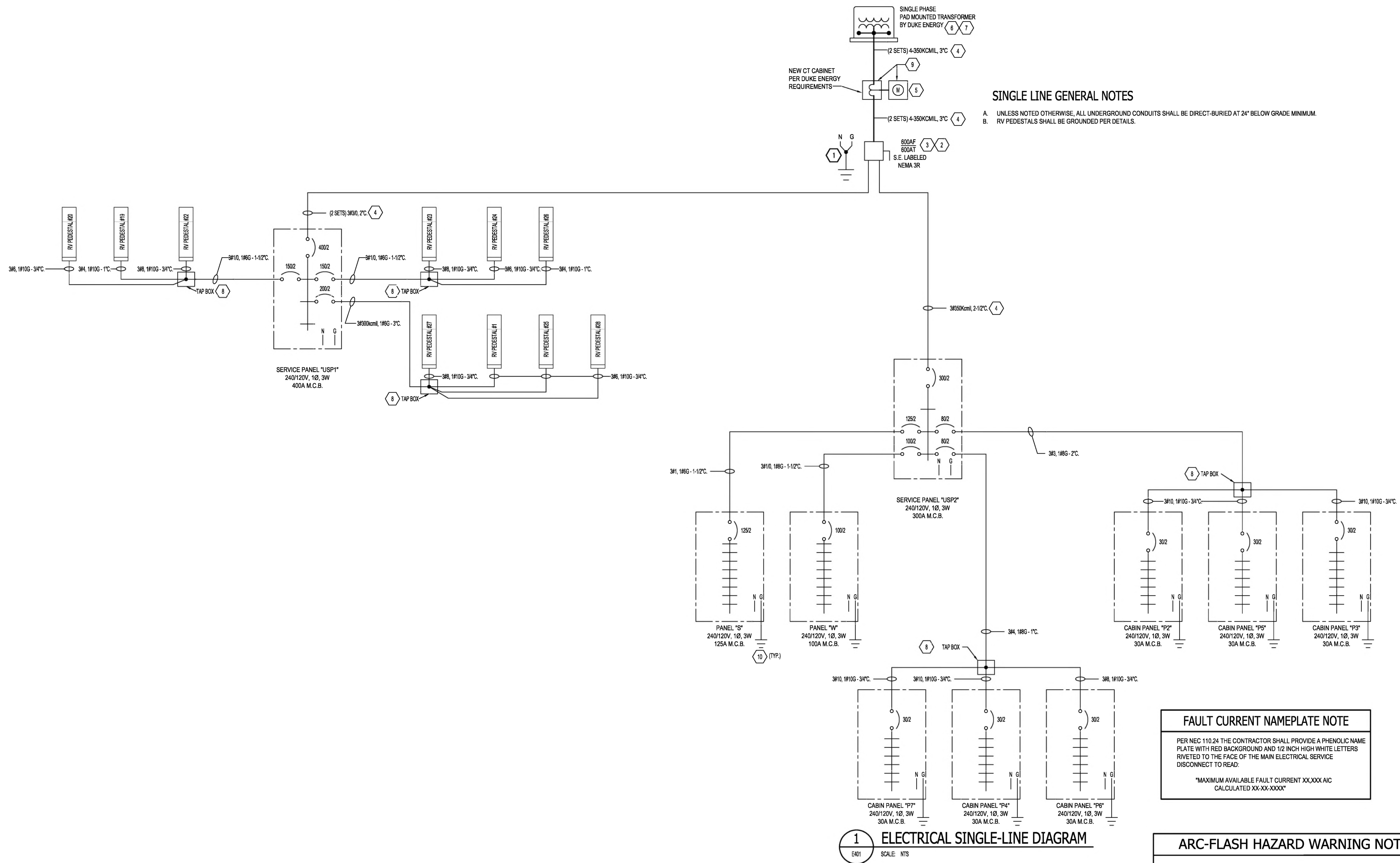
DATE: 01-19-24  
# date note

PROJECT 1394-21  
DATE 01/19/24  
DRAWN DJH  
CHECKED JDL

**CABIN**  
**ELECTRICAL**  
**PLANS**

**E-301**





**NOTES KEYED TO SINGLE-LINE DIAGRAM**

1. CONNECT 1/2" SERVICE GROUND TO GROUND RODS, WATER PIPE, BUILDING STEEL (CONCRETE STRUCTURE REBAR), ETC., PER NEC 250. REFER TO GROUNDING DETAILS.
2. PROVIDE PHENOLIC FAULT CURRENT NAMEPLATE FOR THIS PANELBOARD. REFER TO THE FAULT CURRENT NAMEPLATE NOTE ON THIS SHEET FOR MORE INFORMATION.
3. ALL SERVICE EQUIPMENT SHALL BE S.E. RATED.
4. NEW ELECTRICAL SERVICE FROM NEW PAD MOUNTED TRANSFORMER SECONDARY TO BE PROVIDED AND INSTALLED BY CONTRACTOR. ELECTRICAL CONTRACTOR SHALL PROVIDE 10'-0" OF ADDITIONAL CONDUCTORS (SLACK) WITHIN NEW SITE TRANSFORMER FOR CONNECTION BY THE LOCAL POWER COMPANY. THE UNDERGROUND CONDUIT FROM THE NEW EXTERIOR MOUNTED ELECTRICAL SERVICE WIREWAY SHALL BE SLOPED AT A MINIMUM OF 2% BACK TOWARDS THE NEW SITE TRANSFORMER PIT PAD. COORDINATE ALL WORK WITH LOCAL POWER COMPANY AND ALL OTHER TRADES PRIOR TO BEGINNING ANY WORK ASSOCIATED WITH THIS NEW ELECTRICAL SERVICE FEEDER. SERVICE FEEDERS TO BE CONCRETE ENCASED (3-INCHES OF CONCRETE ON ALL SIDES OF DUCTBANK). REFER TO SPECIFICATIONS AND DETAILS FOR ADDITIONAL INFORMATION.
5. METER ENCLOSURE & CT CABINET ENCLOSURE FURNISHED & INSTALLED BY EC. METERS & CTs FURNISHED & INSTALLED BY LOCAL POWER COMPANY. COORDINATE EXACT REQUIREMENTS WITH LOCAL POWER COMPANY. CONTRACTOR SHALL VERIFY THE EXACT SIZED ENCLOSURE REQUIRED FOR THE CT CABINET WITH THE LOCAL POWER COMPANY PRIOR TO PURCHASING.
6. REFER TO CIVIL/SITE PLANS FOR LOCATION OF ELECTRICAL UTILITY SITE TRANSFORMER.
7. NEW SITE ELECTRICAL TRANSFORMER PAD INSTALLATION PROVIDED BY ELECTRICAL CONTRACTOR. SITE TRANSFORMER AND FINAL TERMINATIONS PROVIDED BY LOCAL POWER COMPANY. VERIFY EXACT MATERIALS NEEDED AND INSTALLATION REQUIREMENTS OF NEW SITE ELECTRICAL TRANSFORMER CONCRETE PAD WITH LOCAL POWER COMPANY. IT IS THE RESPONSIBILITY OF THE CONTRACTOR TO INSTALL ALL POWER COMPANY INFRASTRUCTURE REQUIRED FOR THIS NEW ELECTRICAL SITE TRANSFORMER PAD EXACTLY PER THE LOCAL POWER COMPANIES STANDARDS.
8. PROVIDE U.L. WET LOCATION LISTED TAP BOX IN NEMA 3R ENCLOSURE. TAP BOX TO BE SIZED PER NEC. COORDINATE EXACT LOCATION OF TAP BOX WITH ARCHITECT AND GENERAL CONTRACTOR PRIOR TO ROUGH-IN OF NEW PANEL FEEDERS.
9. COORDINATE DEMARCATION POINT OF LOCAL POWER COMPANY WORKMATERIALS PRIOR TO INSTALLING THE C.T. CABINET ENCLOSURE AND THE METER BASE ENCLOSURE. ELECTRICAL SERVICE METER AND C.T. CABINET TO BE MOUNTED ON EXTERIOR ELECTRICAL SERVICE SUPPORT STRUCTURE. REFER TO DETAILS FOR MORE INFORMATION.
10. PROVIDE GROUND ROD IN ACCORDANCE WITH NEC 250 FOR ALL PANELS SERVED FROM A GROUNDED SERVICE DISTRIBUTION PANEL LOCATED AT ANOTHER STRUCTURE.

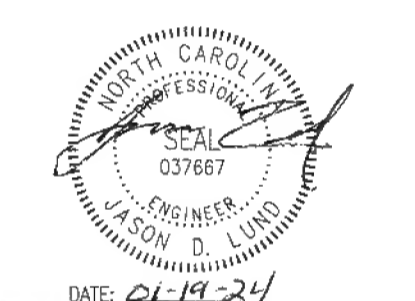
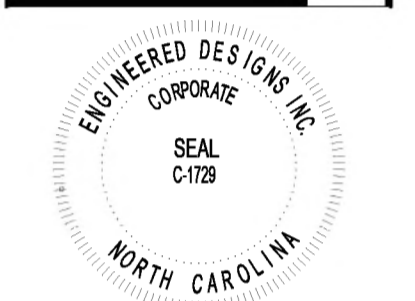
**FAULT CURRENT NAMEPLATE NOTE**

PER NEC 110.24 THE CONTRACTOR SHALL PROVIDE A PHENOLIC NAME PLATE WITH RED BACKGROUND AND 1/2 INCH HIGH WHITE LETTERS RIVETED TO THE FACE OF THE MAIN ELECTRICAL SERVICE DISCONNECT TO READ:

\*MAXIMUM AVAILABLE FAULT CURRENT XX-XXX AIC  
CALCULATED XX-XX-XXXX\*

**ARC-FLASH HAZARD WARNING NOTE**

PROVIDE ARC-FLASH WARNING LABELS AS OUTLINED IN NEC 110.16(B) ON ELECTRICAL EQUIPMENT REQUIRED BY NEC 110.16(A)



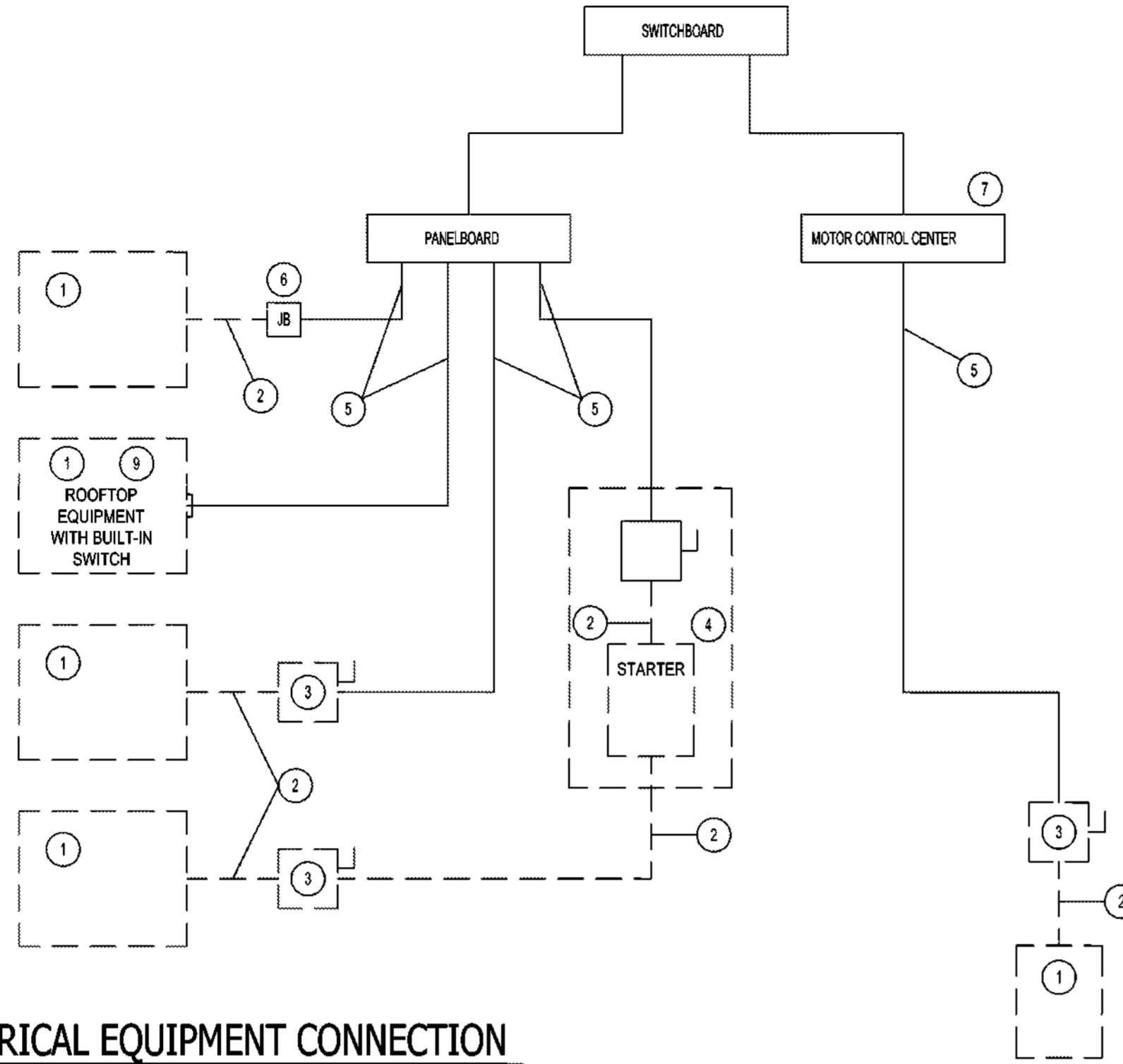
DATE: 01-19-24  
**revisions**

# date note

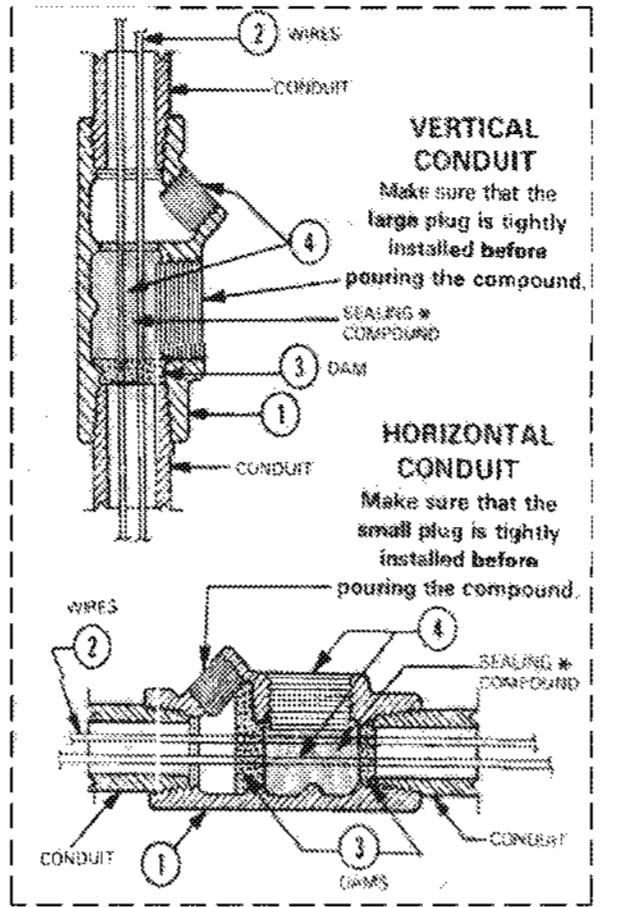


ELECTRICAL NOTES

- 1 EQUIPMENT OF TRADES OTHER THAN ELECTRICAL
- 2 CONDUIT & WIRING BY HVAC, PLUMBING CONTRACTOR OR OTHER TRADES.
- 3 IF AN ADDITIONAL DISCONNECT IS REQUIRED BY NEC IT SHALL BE PROVIDED AND INSTALLED BY THE EQUIPMENT CONTRACTOR.
- 4 A COMBINATION STARTER OR VFD MAY BE USED IN LIEU OF A SEPARATE DISCONNECT SWITCH AND STARTER. LOCATE ADJACENT TO EQUIPMENT.
- 5 FEEDER CIRCUIT WIRING AND CONDUIT IN ELECTRICAL WORK. SEE PANELBOARD SCHEDULES FOR WIRE AND BREAKER SIZES.
- 6 JUNCTION BOX MAY BE SHOWN ON ELECTRICAL PLANS FOR SOME EQUIPMENT. IF NO STARTER OR DISCONNECT IS SUPPLIED, A JUNCTION BOX SHALL BE INSTALLED ADJACENT TO EQUIPMENT. THE ELECTRICAL CONTRACTOR SHALL PROVIDE LINE SIDE WIRING TO THE JUNCTION BOX. LOAD SIDE WIRING WILL BE PROVIDED BY MECHANICAL CONTRACTOR OR OTHER TRADES.
- 7 PROJECTS UTILIZING AN MCC, THE STARTER, CB, OR VFD IN THE MCC ARE PROVIDED BY THE ELECTRICAL CONTRACTOR.
- 8 IN ALL CASES THE EQUIPMENT CONTRACTOR SHALL MAKE FINAL CONNECTIONS, START UP AND TEST EQUIPMENT.
- 9 IF THE ROOFTOP EQUIPMENT IS NOT PROVIDED WITH BUILT-IN SWITCH, THE ELECTRICAL CONTRACTOR SHALL PROVIDE A DISCONNECT SWITCH.
- 10 IN A SINGLE PRIME CONTRACT, IT IS THE RESPONSIBILITY OF THE PRIME CONTRACTOR TO COORDINATE BETWEEN THE ELECTRICAL AND THE OTHER TRADES.



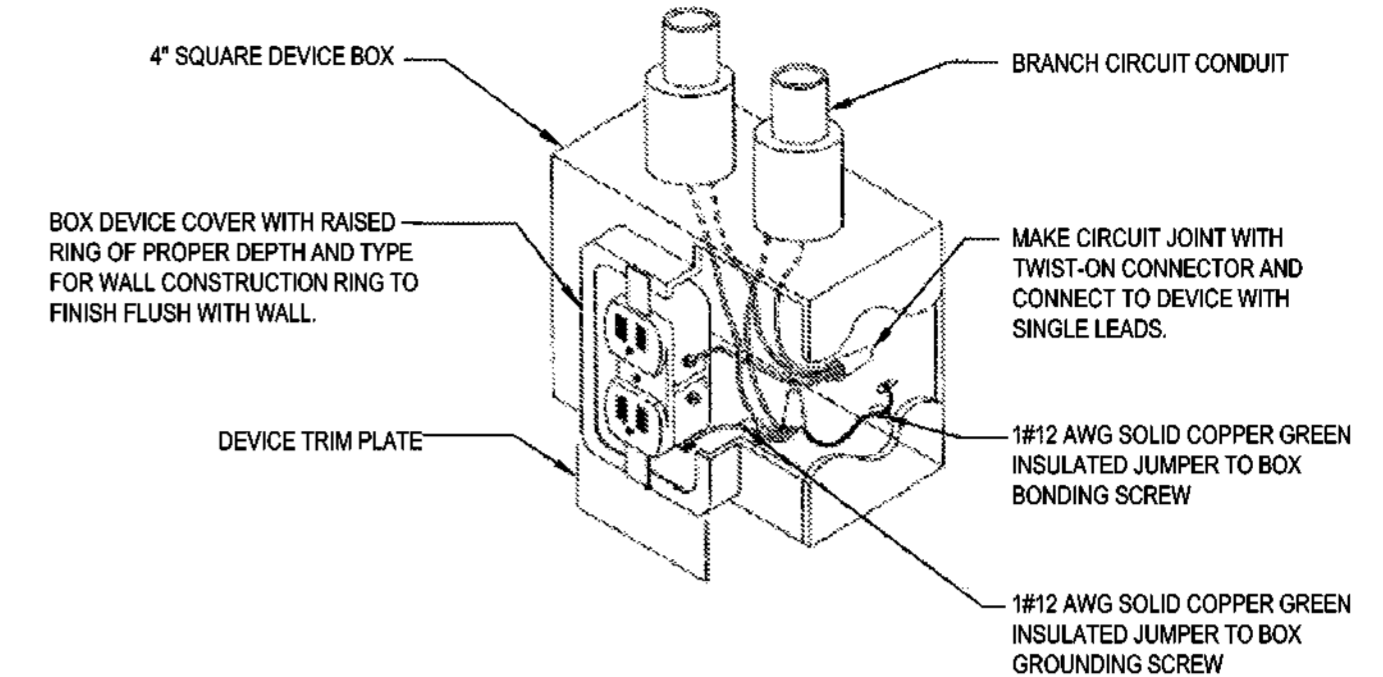
**1 ELECTRICAL EQUIPMENT CONNECTION**  
E-601 SCALE: NTS



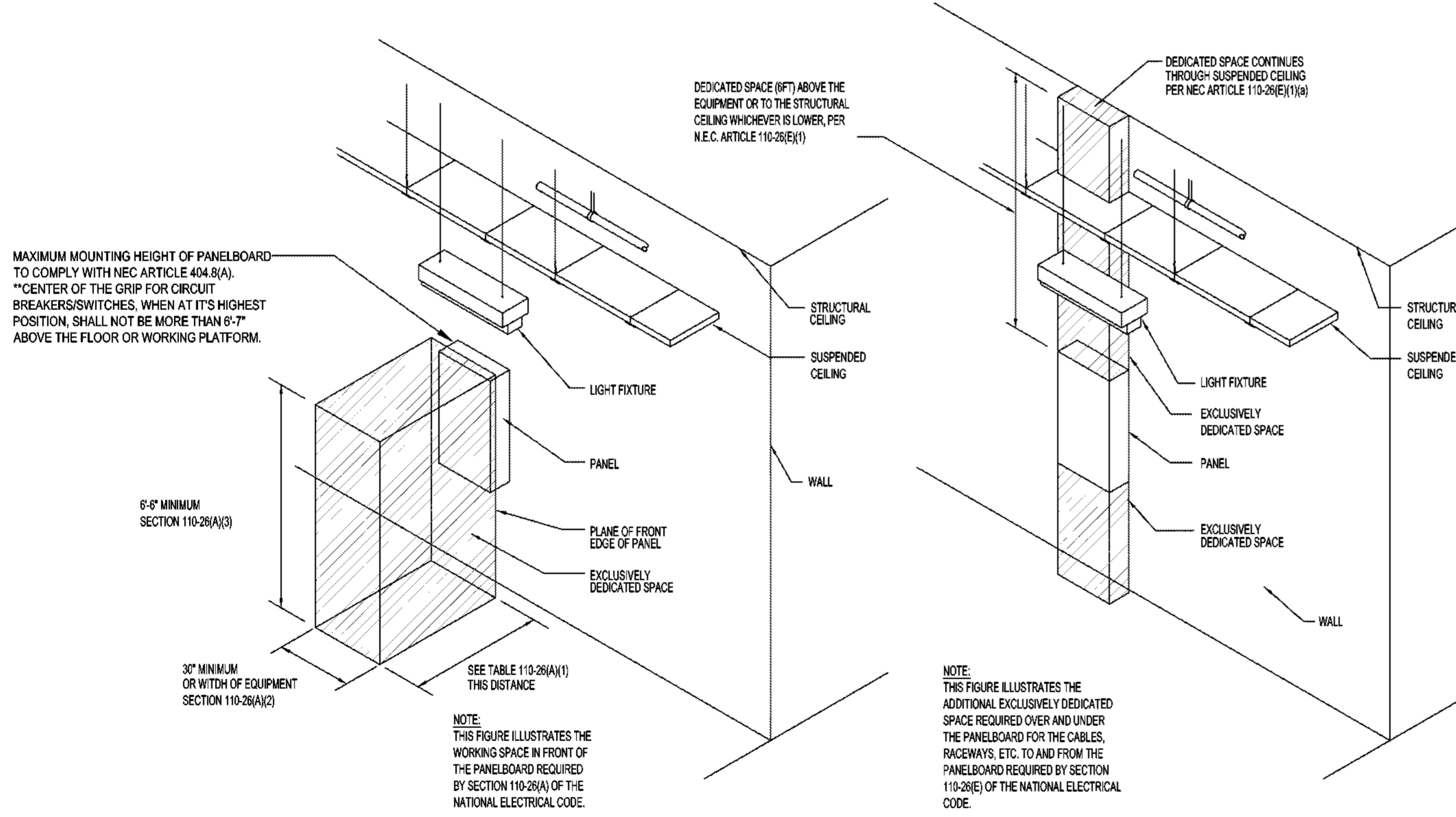
**4 CONDUIT SEAL DETAIL**  
E-601 SCALE: NTS

NOTES TO 4/E-601

- 1. INSTALL THE SEALING FITTING INTO THE CONDUIT SYSTEM. REFER TO NATIONAL ELECTRICAL CODE FOR APPLICABLE REGULATIONS.
- 2. PULL THE CONDUCTORS (WIRES) THROUGH THE CONDUIT SYSTEM.
- 3. PROVIDE PACKING FIBER, BUILD A DAM AT EACH CONDUIT HUB (EXCEPT UPPER HUBS IN VERTICAL SEALS).
- 4. PROVIDE SEALING COMPOUND PER MANUFACTURER'S INSTRUCTIONS.

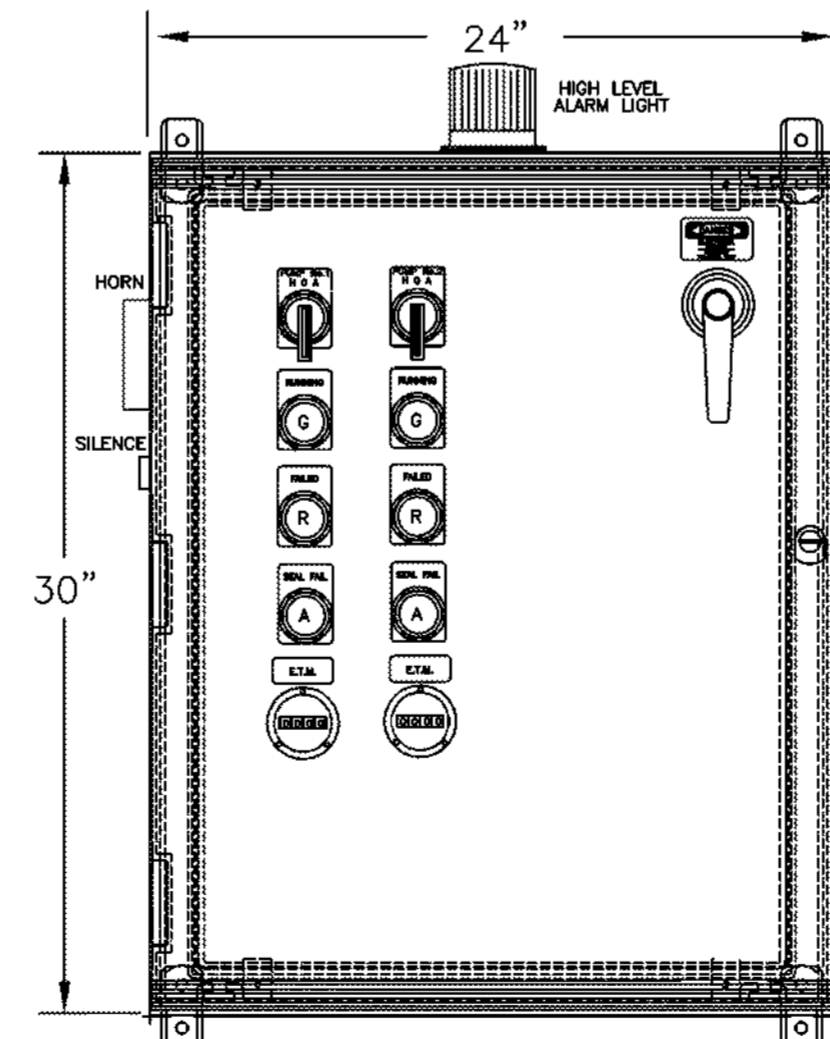


**3 RECEPTACLE GROUNDING DETAIL.**  
E-601 SCALE: NTS



VOLTAGE TO GROUND, NOMINAL	MINIMUM CLEAR DISTANCE (FEET)		
	CONDITION 1	2	3
0-150	3	3	3
151-600	3	3 1/2	4

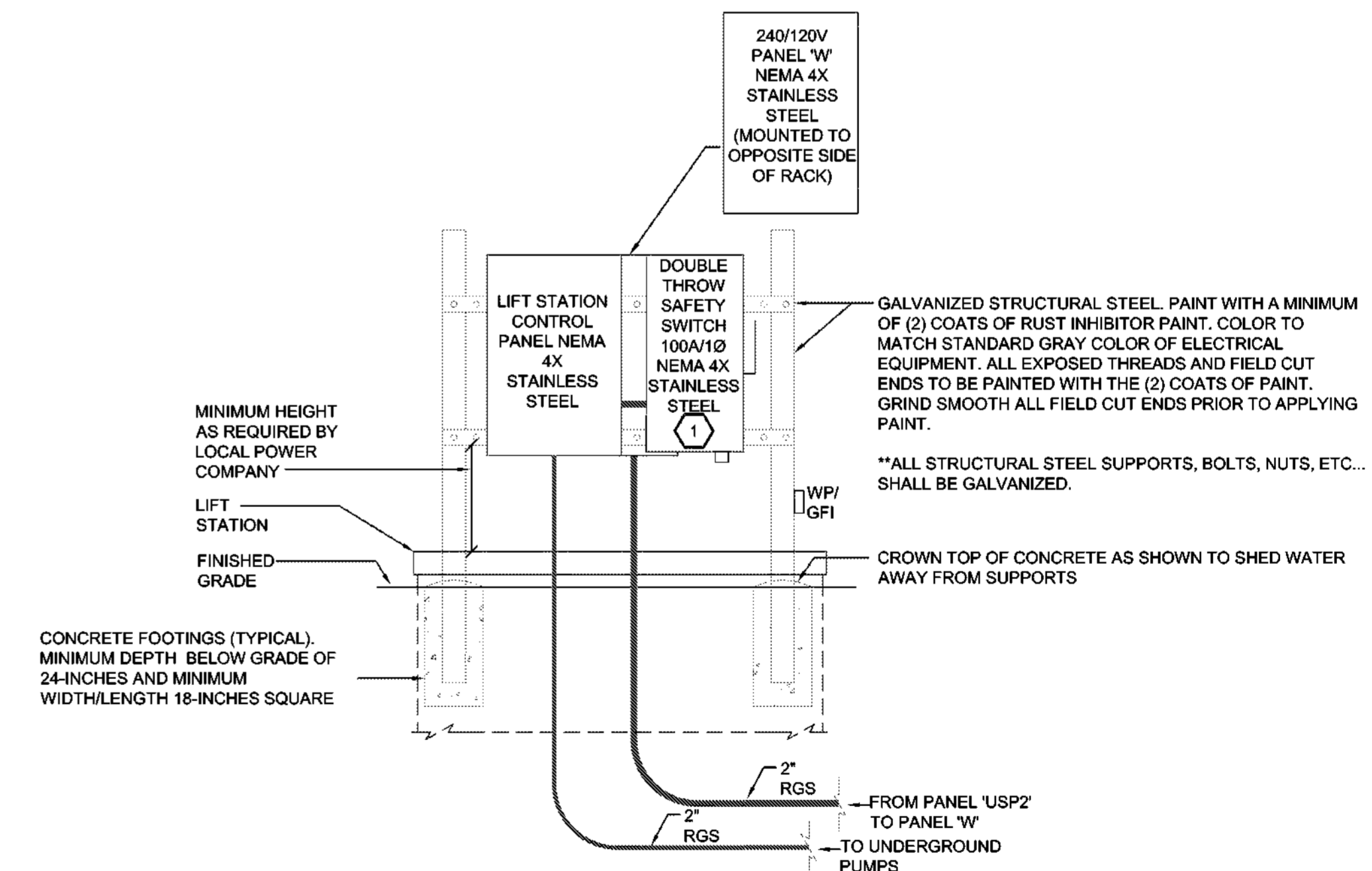
**2 DEDICATED SPACE REQUIREMENTS FOR PANELBOARDS**  
E-601 SCALE: NTS



**6 LIFT STATION CONTROL PANEL DETAIL**  
E-601 SCALE: NTS

NOTES KEYED TO 6/E-601

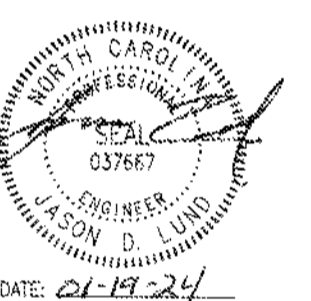
- 1 PROVIDE SIGN ON CONTROLLER "IN THE EVENT THE PUMP STATION ALARM IS GOING OFF, CALL 919.XXX.XXXX AND INFORM NC DENR."

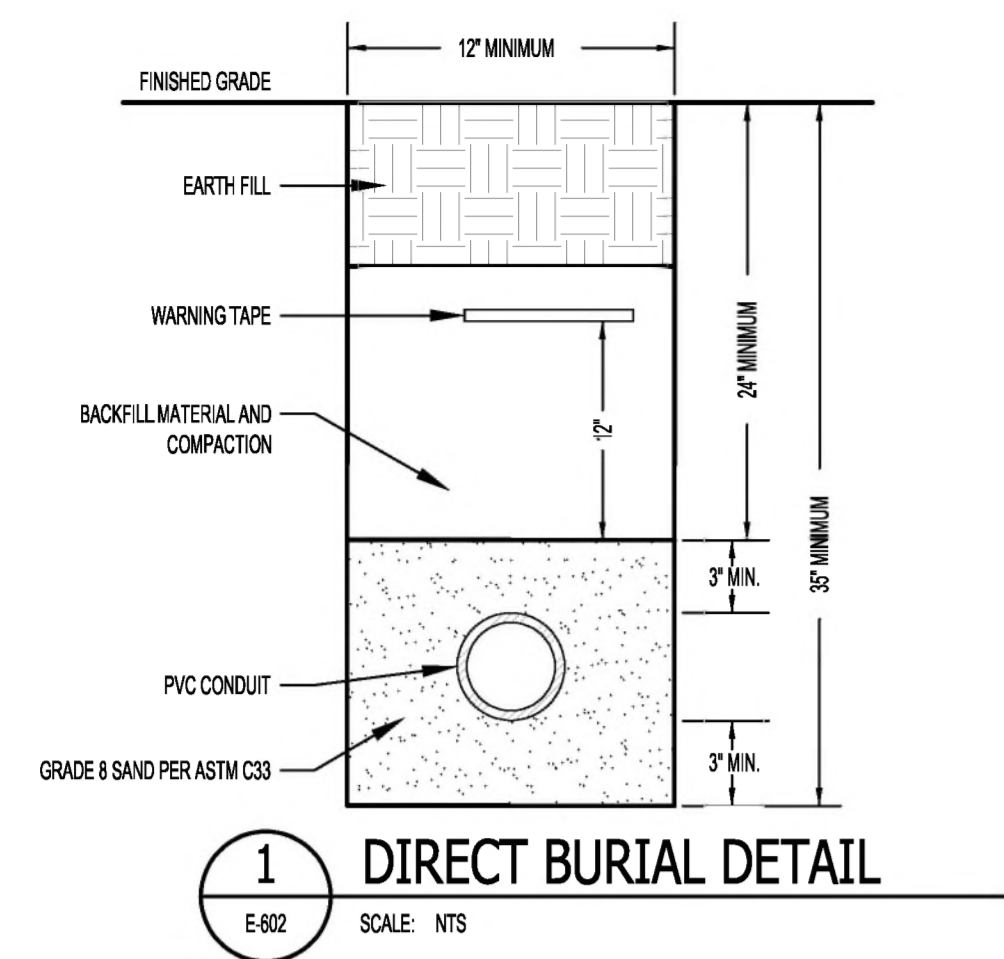


**5 LIFT STATION CONTROL PANEL MOUNTING RACK DETAIL**  
E-601 SCALE: NTS

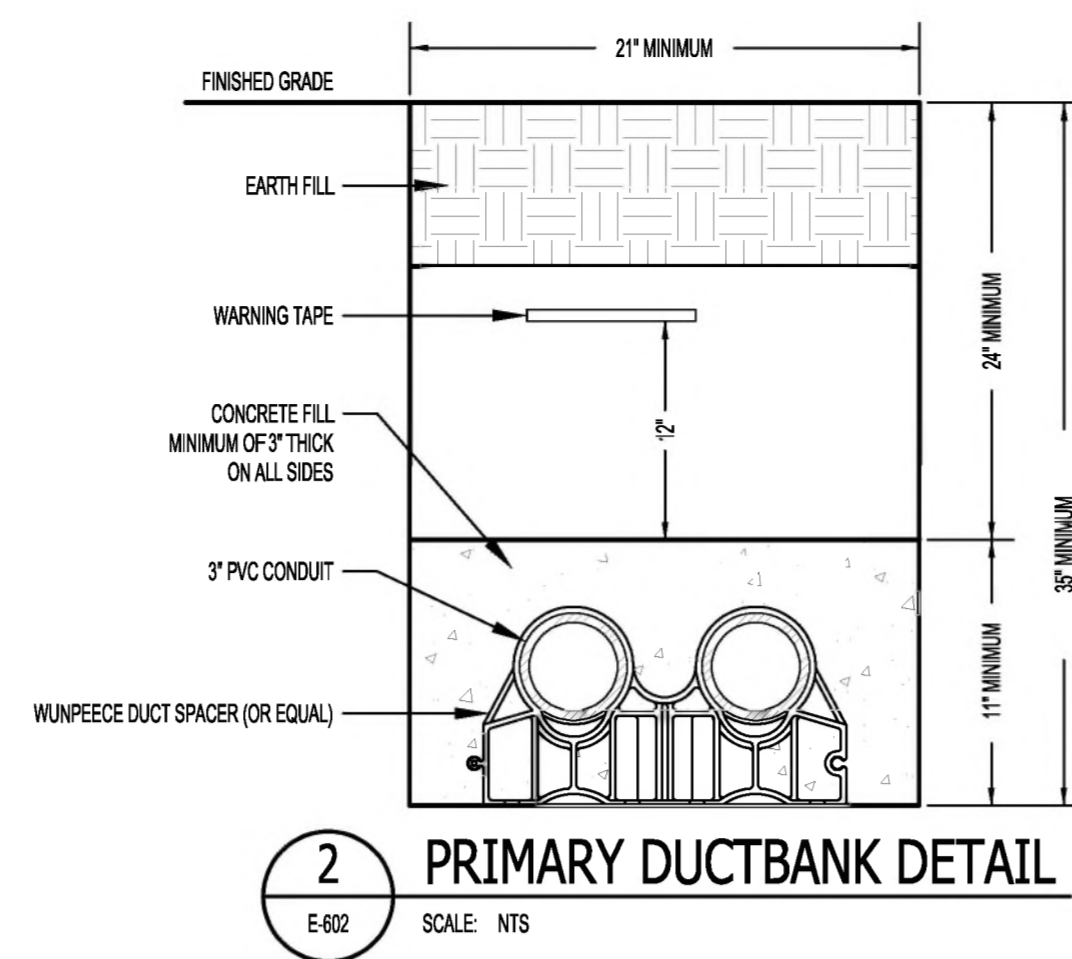
NOTES KEYED TO 5/E-601

- 1 PROVIDE DOUBLE THROW SAFETY SWITCH WITH 2 - 2\"/>

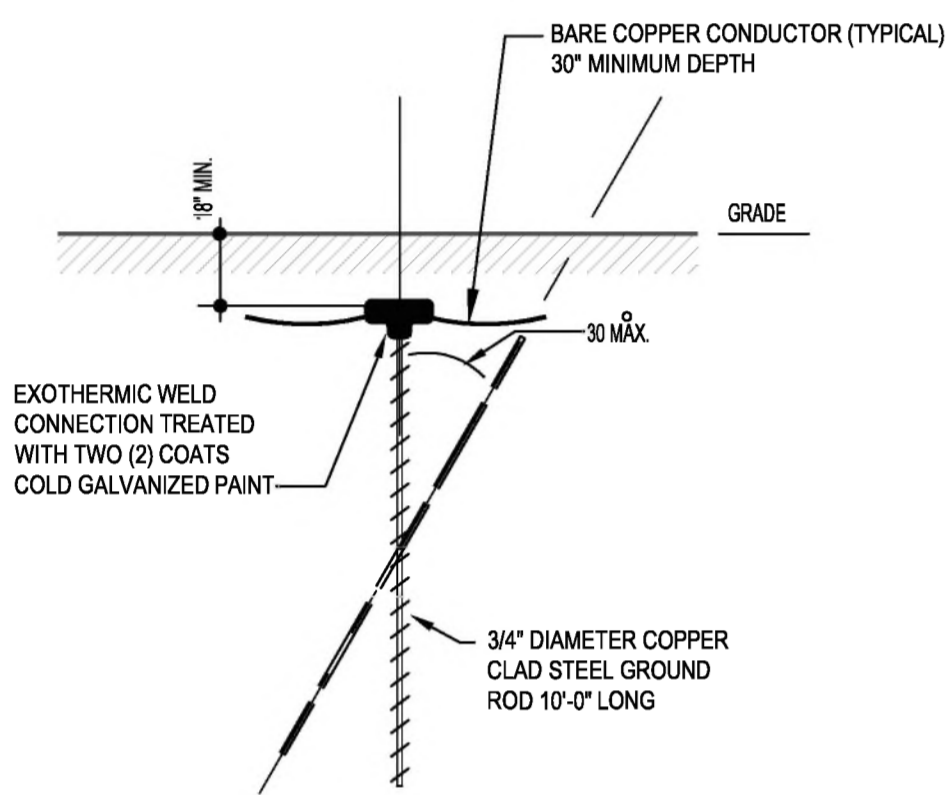




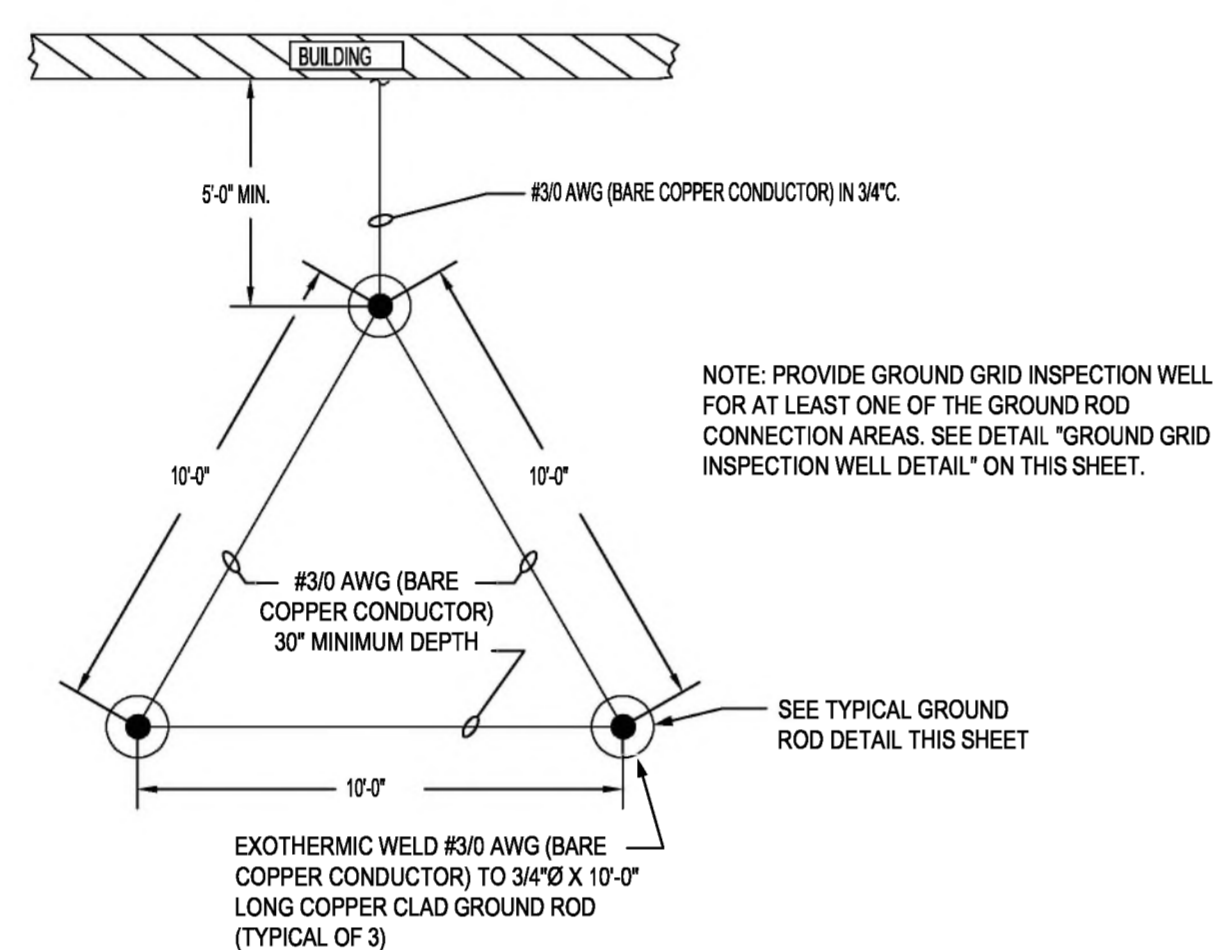
**1 DIRECT BURIAL DETAIL**  
E-602 SCALE: NTS



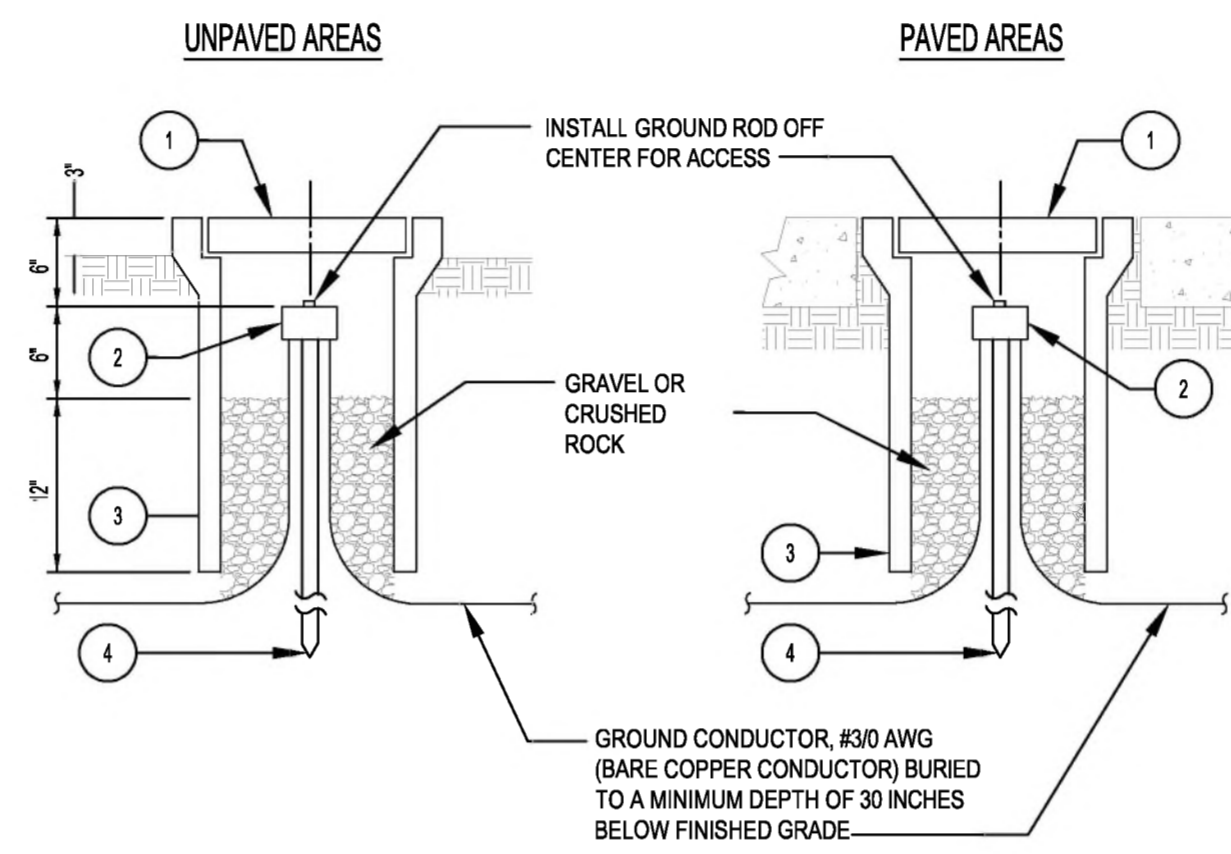
**2 PRIMARY DUCTBANK DETAIL**  
E-602 SCALE: NTS



**4 TYPICAL GROUND ROD DETAIL**  
E-602 SCALE: NTS



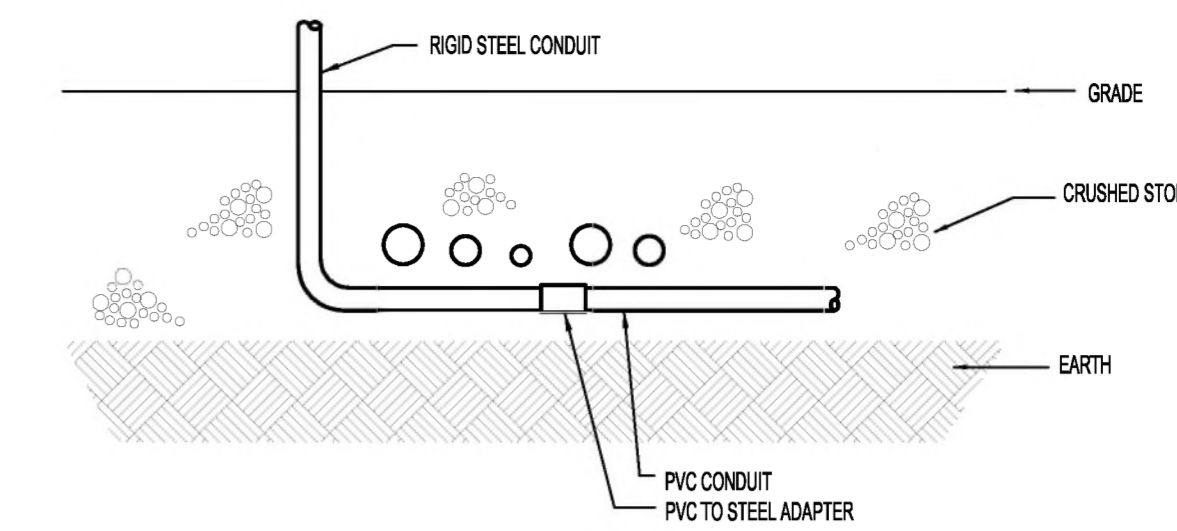
**5 GROUND GRID DETAIL**  
E-602 SCALE: NTS



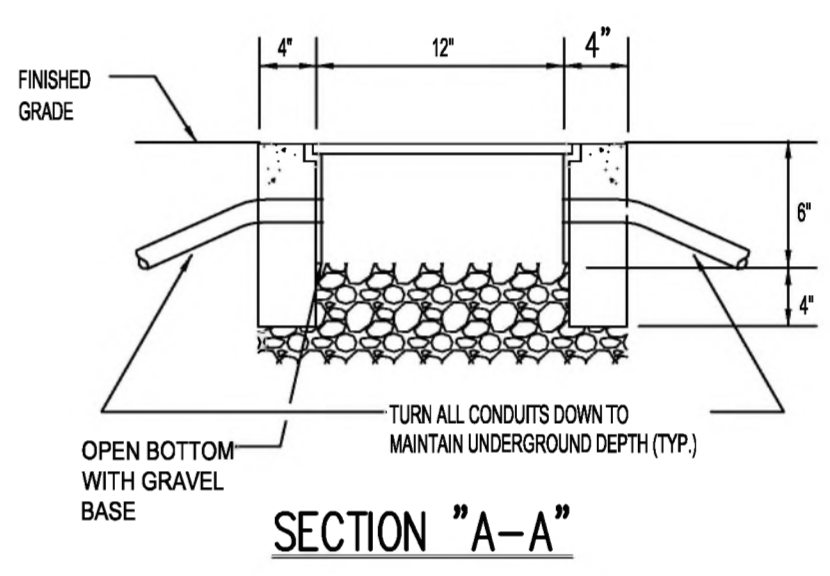
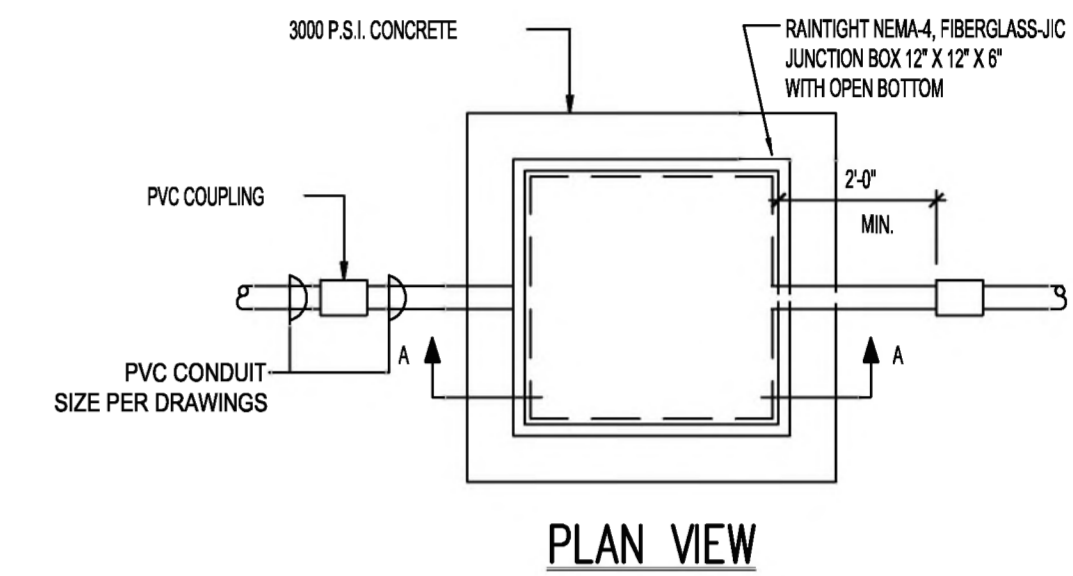
**LIST OF MATERIALS**

ITEM NO.	QTY	DESCRIPTION
1	1	HARGER LIGHTNING PROTECTION CAST IRON OR STAINLESS STEEL COVER
2	1	CADWELD (EXOTHERMIC) CONNECTION TYPE GT TO TOP OF GROUND ROD
3	1	HARGER LIGHTNING PROTECTION PVC WELL (8" MIN. DIA. X 24" DEEP)
4	1	GROUND ROD COPPER-CLAD STEEL 3/4" DIA X 10'-0"

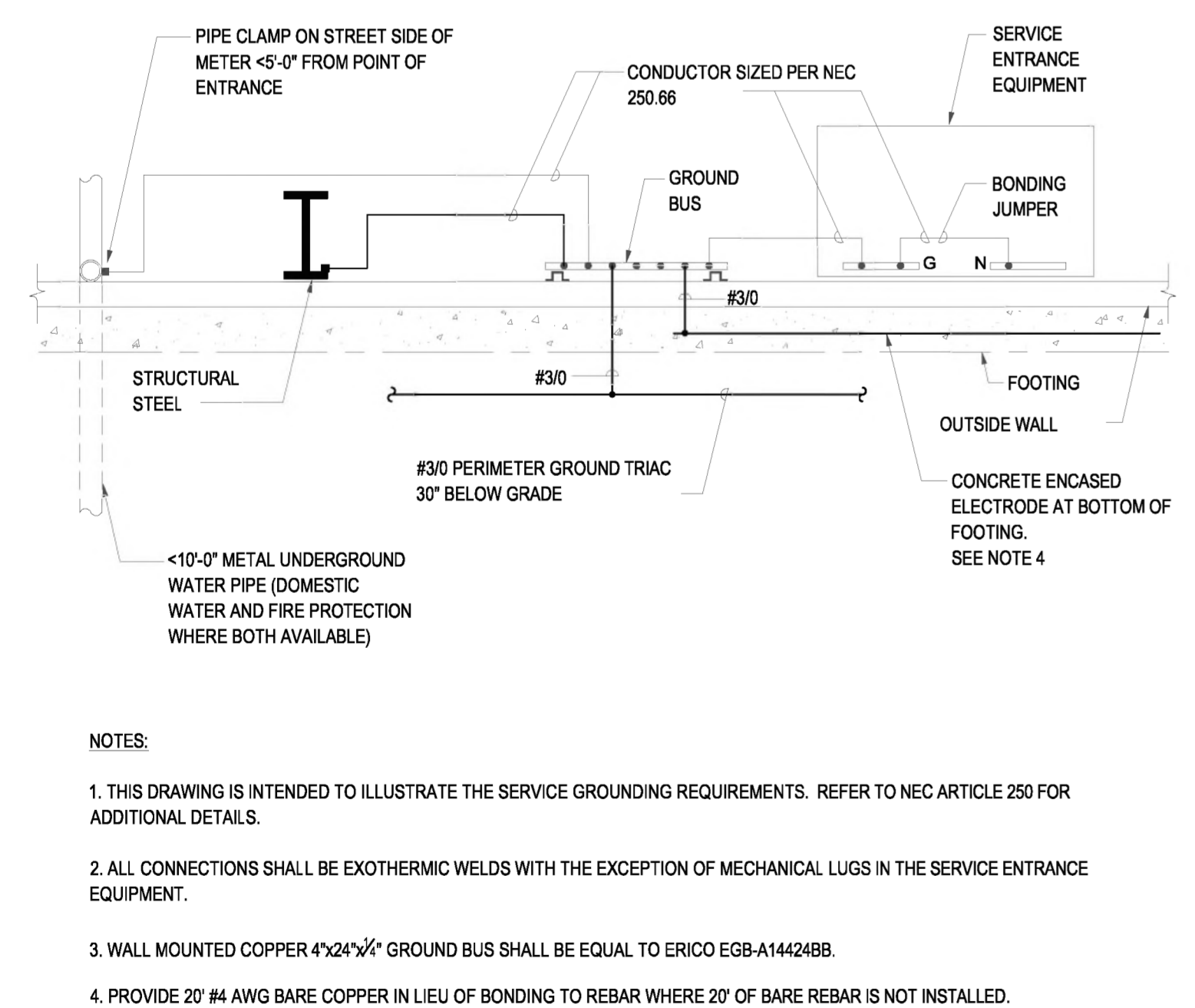
**6 GROUND GRID INSPECTION WELL DETAIL**  
E-602 SCALE: NTS



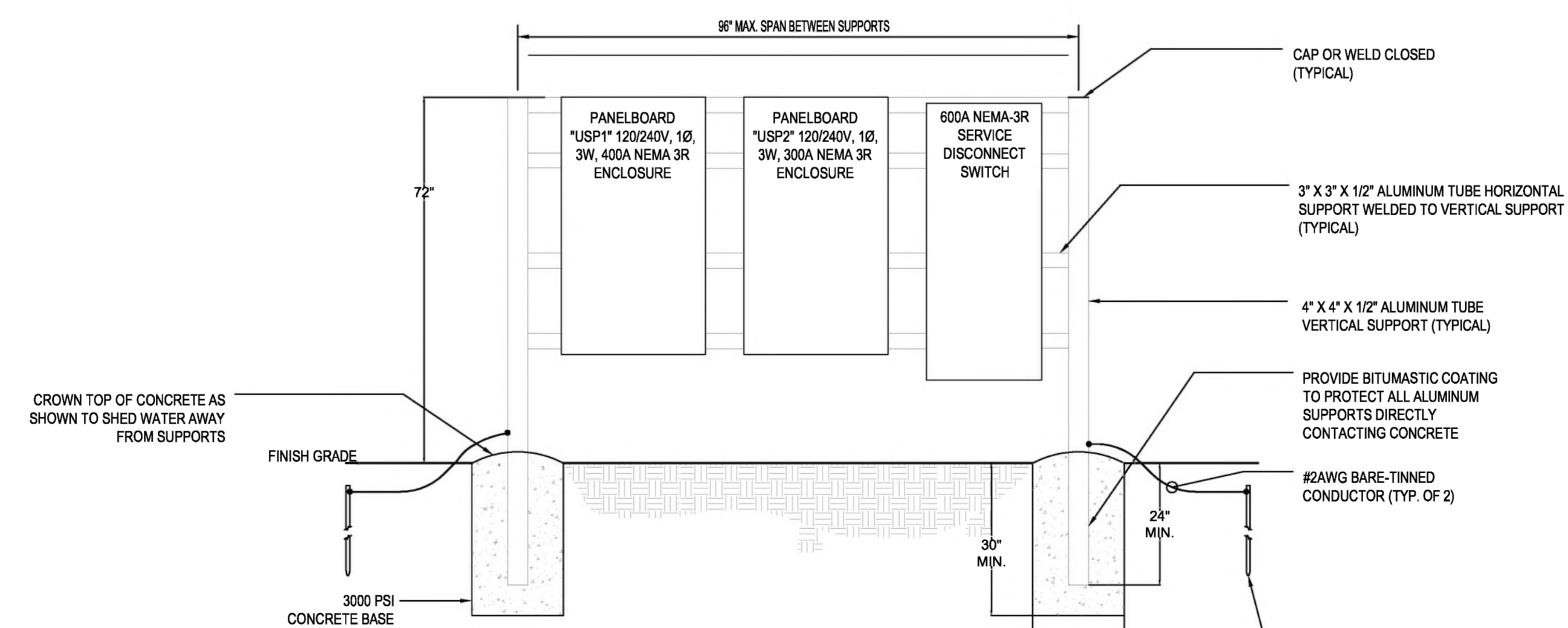
**3 CONDUIT PVC TO STEEL TRANSITION DETAIL**  
E-602 SCALE: NTS



**7 HAND HOLE DETAIL**  
E-602 SCALE: NTS

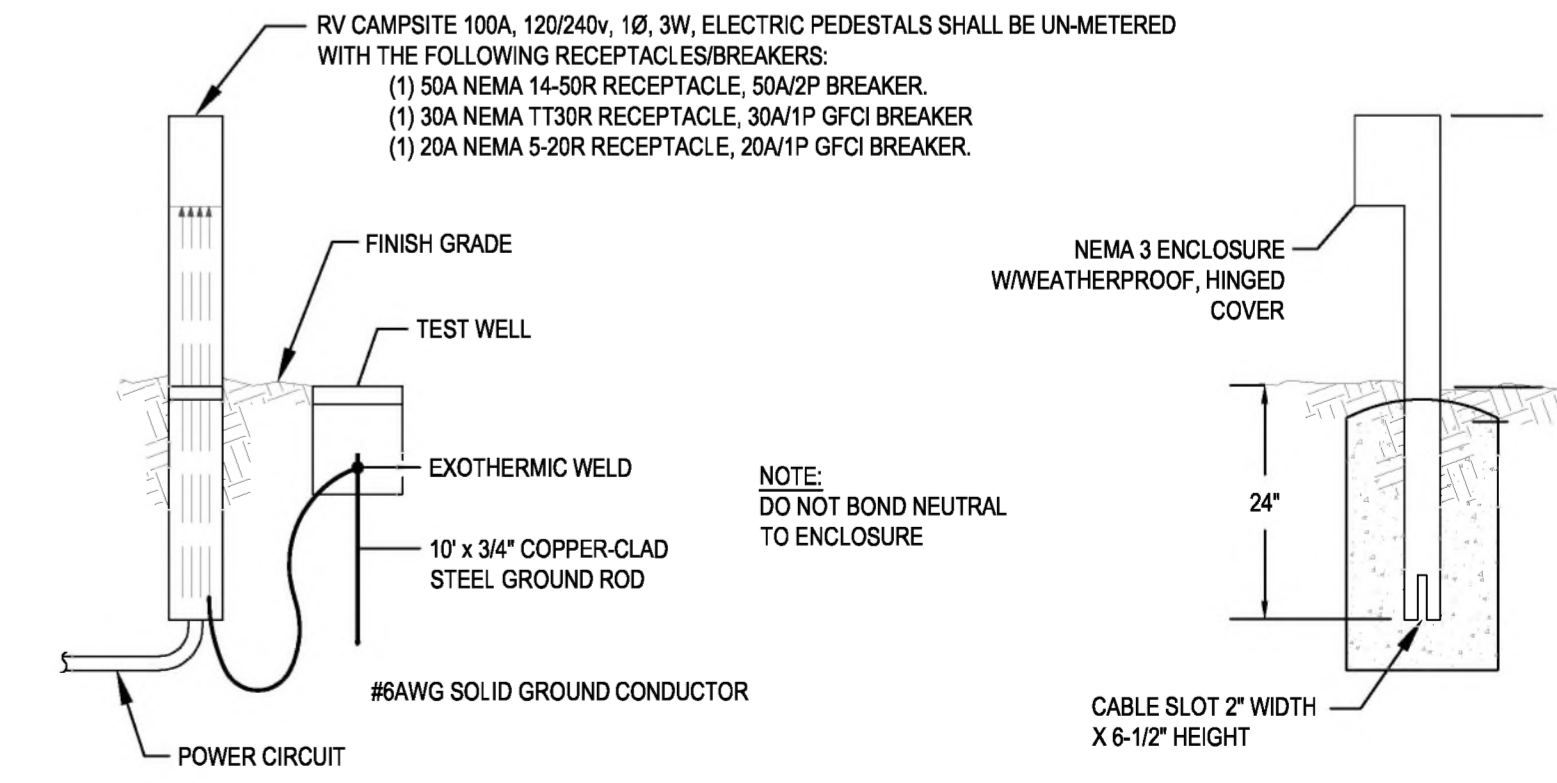


**10 SERVICE GROUNDING ELECTRODE DETAIL**  
E-602 SCALE: NTS



- EQUIPMENT RACK DETAIL NOTES:**
- EQUIPMENT RACK SHALL BE WELDED ALUMINUM WITH ALL JOINTS WELDED ALL AROUND.
  - CONTRACTOR SHALL USE 316 SST. FASTENERS AND HARDWARE.
  - PROVIDE ADDITIONAL VERTICAL SUPPORTS SIMILAR TO THOSE SHOWN TO SPANS DISTANCES GREATER THAN 96".
  - PROVIDE PROTECTIVE BITUMASTIC COATING FOR ALL ALUMINUM MEMBERS IN CONTACT WITH CONCRETE.
  - BOND EQUIPMENT RACK TO GROUND RODS IN TWO PLACES MINIMUM. ALL GROUND CONNECTIONS SHALL BE EXOTHERMIC WELD TYPE.
  - COORDINATE EXACT INSTALLATION LOCATION WITH LANDSCAPE FEATURES AND ARCHITECT / LANDSCAPING CONTRACTOR PRIOR TO ROUGH-IN.

**9 ELECTRICAL SERVICE EQUIPMENT**  
E-602 SCALE: NTS



**8 RV POWER PEDESTAL DETAIL**  
E-602 SCALE: NTS